

EXCELEENA INSTRUCTIONS

V122 初版

Original scan by an unknown kind stranger - thank you kind stranger!

Re-scanned, cleaned, OCRd, translated and fact checked by the the community of Exceleena fans
at www.arcadeprojects.com Feb 2022

With special thanks to
Hatmoose
Murray
GeeDee

TABLE OF CONTENTS

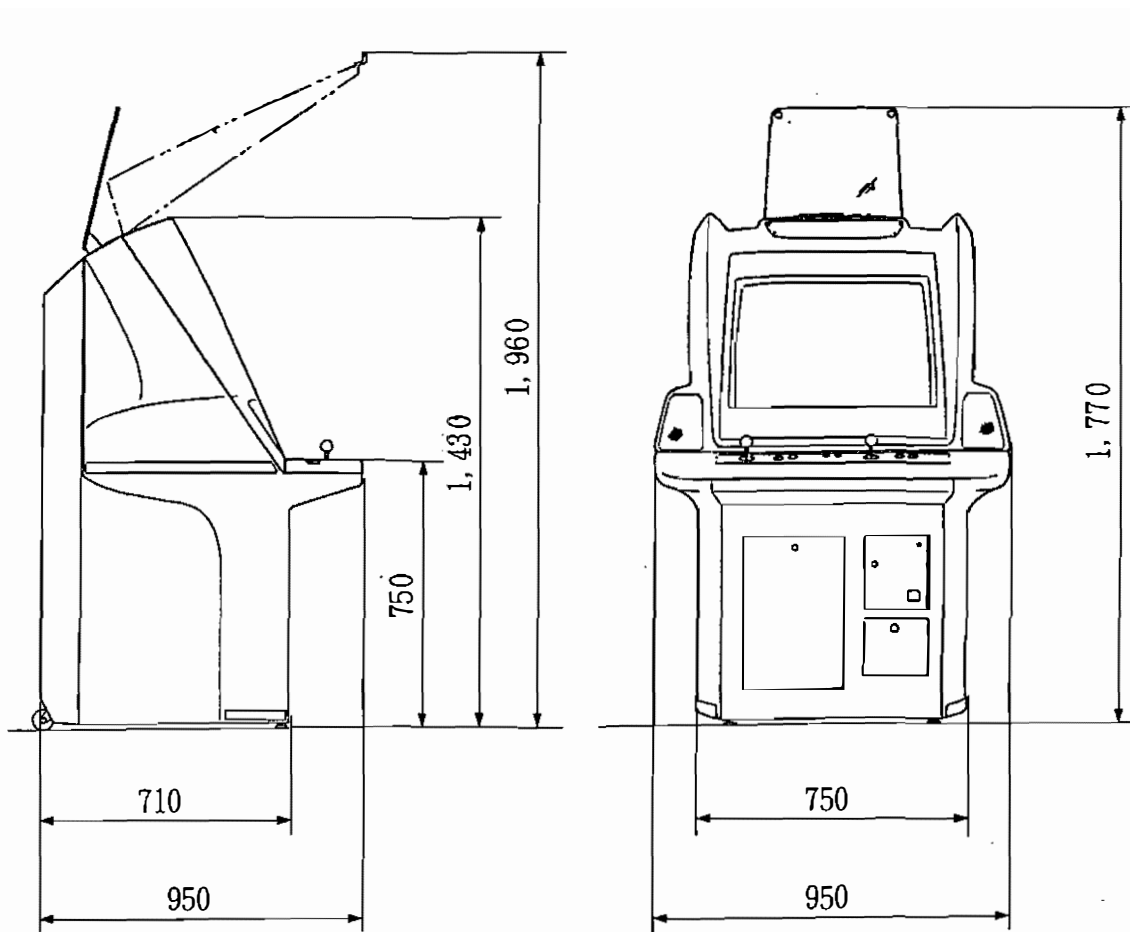
1. Specification	1
2. Precautions	3
2-1 Precautions for installation	
2-2 Handling Precautions (General)	
2-3 Handling Precautions (Picture Tube)	4
2-4 Precautions for transportation	4
3. Name of each part	5
4. Setup	6
4-1 Adjusting the level adjuster	6
4-2 Installation of the Signboard	6
4-3 How to replace the Signboard Artwork	7
5. Game PC Board replacement	8
5-1 How to change game PC Board	8
5-2 How to use the stereo conversion harness	8
6. Adjustments	9
7. Routine Maintenance	10
7-1 How to remove the control panekover	10
7-2 How to open the face panel	11
7-3 How to remove the monitor assembly	12
7-4 How to change the monitor orientation	13
7-5 Support for high resolution (24khz) games	14
7-6 How to change the fluorescent lamp	15
7-7 How to replace the fuse in the power panel assembly	15
7-8 How to use coin (B) PC board (for mahjong games, etc.)	16
8. Parts list	17
9. Troubleshooting	19
10. Wiring Diagram	20

This book has standard specifications (horizontal monitor, 2 control levers, push button 4 pieces, standard pc board) are explained.

When ordering parts, please let us know the part name and part number of each from the manual.

1. Specification

- (1) Power supply used AC100V \pm 10V (50/60 Hz)
- (2) Power consumption 110W
- (3) Image display device 29 inch color monitor (standard / medium resolution switchable)
- (4) Electric collection number ▼ 95-4665
- (5) Game PC board maximum dimensions (W) 343 \times (D) 422 \times (H) 120 (mm)
- (6) Size
 - (W) 950 (mm)
 - (D) 950 (mm)
 - (H) 1,430 (mm) (with signboard 1,770 (mm))



- (7) Weight 117 kg
- (8) Game Fee 1 game 100 yen (switchable)
- (9) Cash box capacity 200,000 yen (100 yen coins, 2000 sheets)

(10)	Included	Instruction manual (this manual)	1
		Key (for cash box)	2
		Key (for coin door, maintenance door, control panel cover)	2
		Torx wrench (male 4mm for M5)	1
		Glass tube fuse (4A 125v)	1
		Power supply 3P -> 2P conversion plug	1
		Monitor adjustment driver	1
		Stereo conversion harness	1

Note: Specifications are subject to change without notice. In addition, we cannot take any responsibility if this machine is modified without permission.

2. Precautions

2 - 1 Environmental Precautions (Other)

- (1) For indoor use only – do not install in the following location
 - ① Outdoors
 - ② Places exposed to direct sunlight, places with high humidity, dusty places, places with leaks / water leaks, heating appliances, extremely cold places
 - ③ Places that hinder disaster prevention such as emergency exits and places where firefighting equipment is installed.
 - ④ Unstable places and floors with vibration

- (2) In the case of an outlet with an earth, you can do the earth just by inserting the plug. If it is not an earth 1 inch outlet, insert the included conversion plug and then connect it to the outlet. At that time, be sure to connect the earth wire to the earth terminal of this unit and make a ground connection.

2 - 2 Handling Precautions (Other)

- (1) The machine can be used in the range of AC 90v to AC 110V, but please use it near AC 100V as much as possible. Also, be sure to connect the power plug with a dedicated outlet.
- (2) When unplugging the power cord, be sure to hold the plug without pulling on the cord.
- (3) Be sure to turn off the power when replacing parts or connecting / disconnecting the connector.
- (4) Since the repair of the game PC board will be done by the manufacturer, never check the continuity with a tester or the like. The internal voltage of the tester can destroy integrated circuits on the game PCB.

2 - 3 Handling Precautions (CRT picture tube)

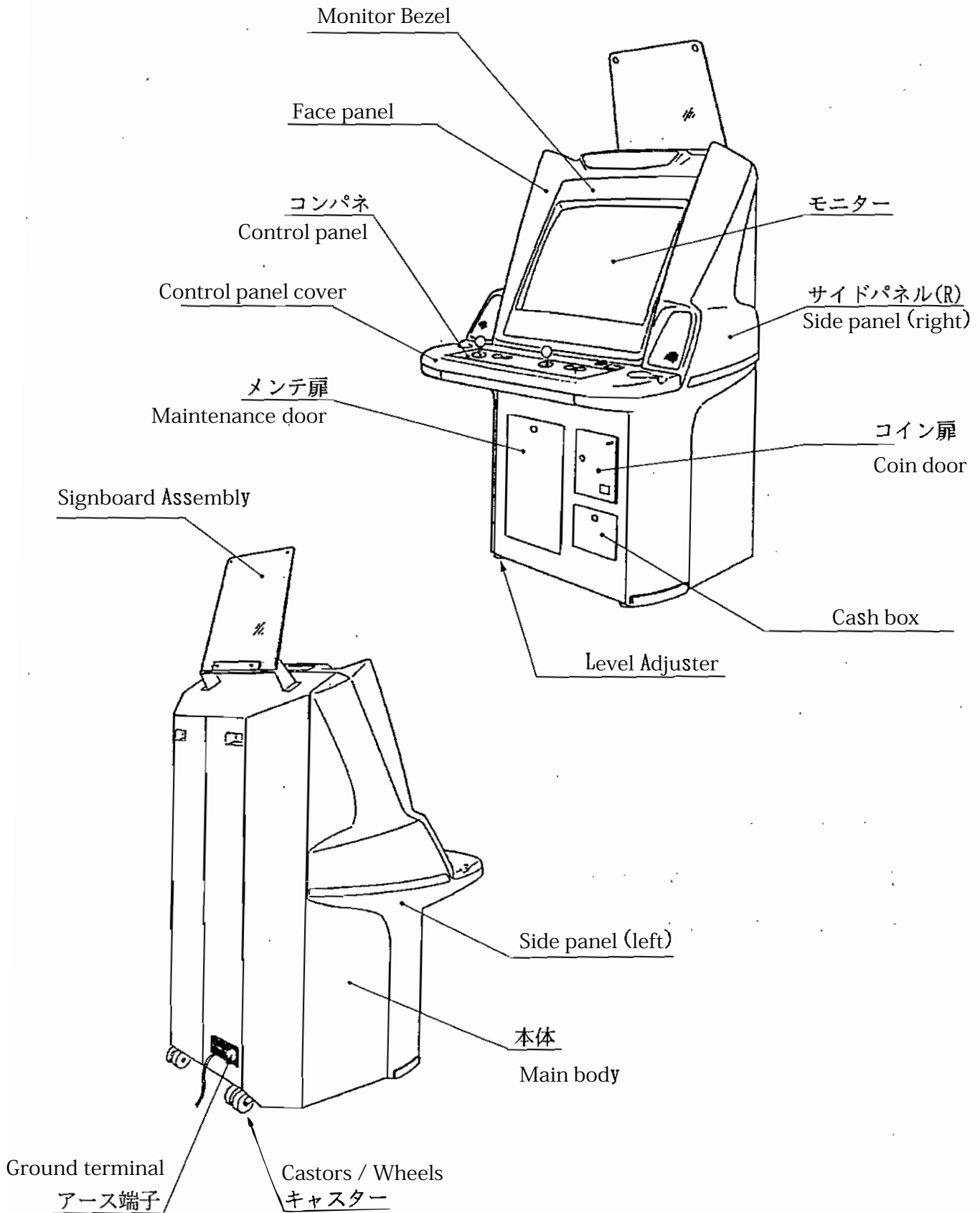
The cathode ray tube used in this machine has a special antistatic coating applied to it. Please note the following points before use.

- To wipe off dirt on the surface, use a soft, dry cloth. Do not use window cleaner
- If the surface is very dirty, soak a soft cloth in a mild household detergent diluted with water, squeeze it tightly, and then wipe it dry. However, do not use detergents containing abrasives or detergents containing bleach.
- Do not attach adhesive patches or stickers to the surface of the CRT.
- Do not touch or rub a sharp stick or pen on the surface of the CRT
- When transferring the cathode ray tube and set, make sure that hard objects do not hit the surface or rub it to scratch it.
- Never peel off the conductive tape between the antistatic paint and the explosion – proof band of the cathode ray tube. Please handle with care

2 - 4 Precautions for transportation and movement

- (1) Be careful not to give a big impact when transporting or moving.
- (2) Be sure to raise the level adjuster when moving.

3 . Name Of Each Part



4 . Setup

4-1 Adjusting the level adjuster

If the floor is not flat, use the two level adjusters on the front side to adjust the level

(Adjustable range is 0 to +18 mm. Do not raise any higher than 18mm)

※ Important: to prevent damage always fully retract the level adjusters before moving the machine

4-2 Installation of Signboard

(1) Loosen the two M5 base guard nuts to loosen the Signboard Osaie (clamp)

(It is not necessary to completely remove the nuts.)

(2) Insert the Signboard assembly between the signboard base and the Signboard Osaie. Tighten the two M5 base guard nuts to secure

Important : Please remove the Signboard Assembly when transporting or moving. Again by loosening the M5 base guard nuts

After removal of the Signboard assembly tighten the M5 base guard nuts again so that they will not come off and be lost.

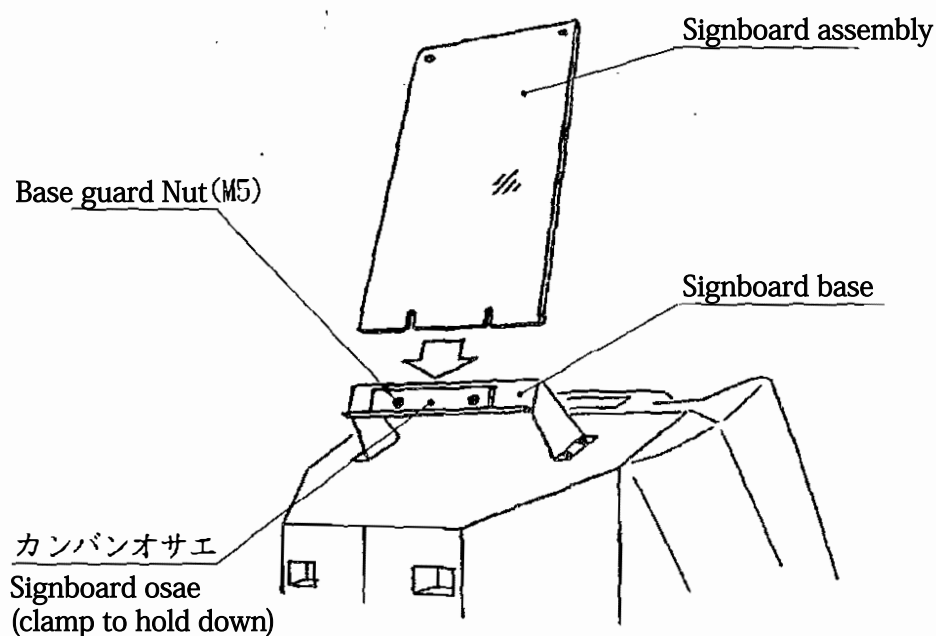


Figure 1

4-3 How to replace the signboard artwork

- (1) Remove the two nuts and the two screw + washer
- (2) Spread the top of the Signboard Assembly, insert the explanation paper until it hits the stopper.
- (3) Replace and tighten the two nuts and screw + washer

Take care when tightening the nuts. To avoid damaging the plastic not to use too much force, do not damage the plastic

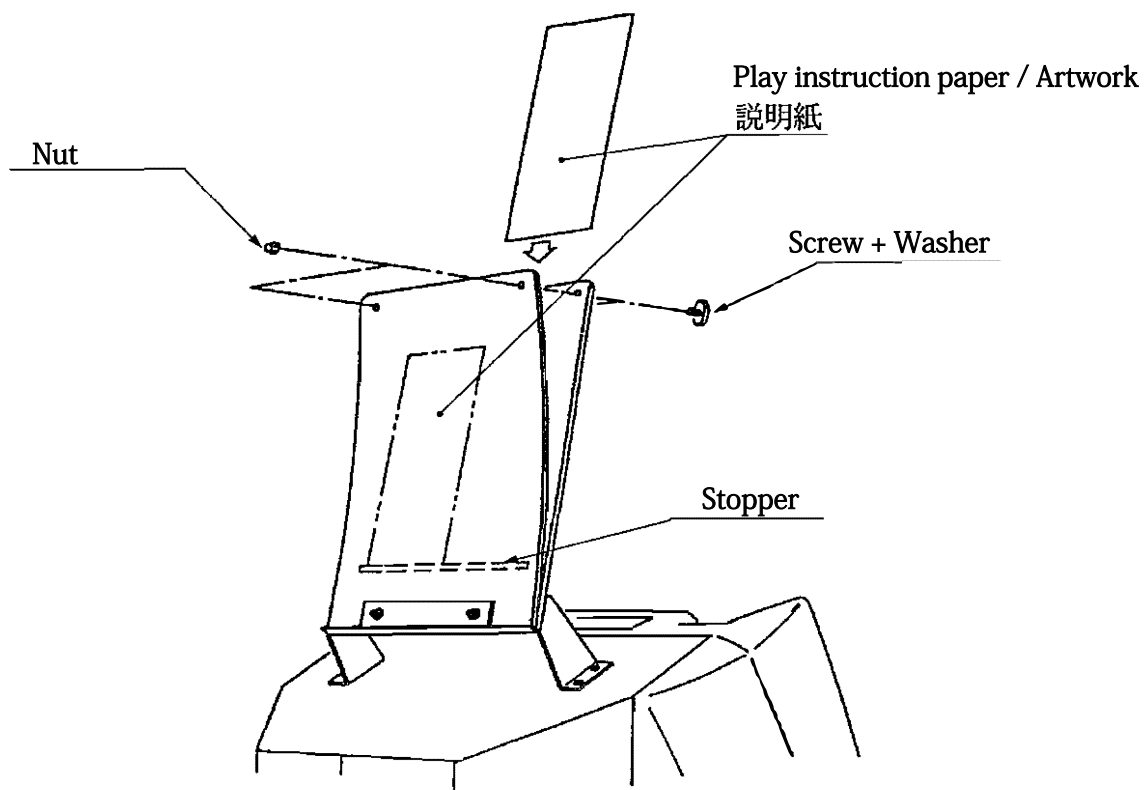


Figure 2

5 . Replacing the game P C board

5 – 1 Replacing the game PC board

- (1) Open the maintenance door
- (2) Disconnect the Edge Connector that connects the game PC board
- (3) Remove the M4x20mm screw in the front of the PC board base
- (4) Pull out the PC Board Base towards you, then replace the game PC board

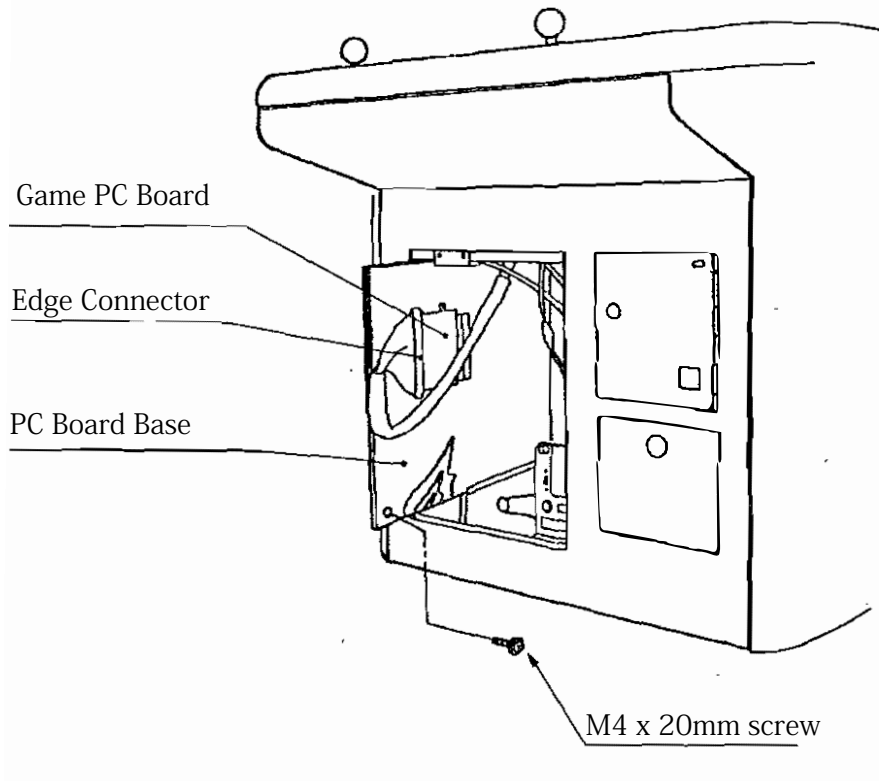


Figure 3

5 – 2 How to use the stereo conversion harness (accessories)

When using Namco System 2, NA-1, NA-2, NB-1, NB-2 PC Game board, you can enjoy powerful stereo sound by using the included stereo conversion harness.

* Connect to the PC board and replace the 2p connector with "J13" on the main unit (see "10. Wiring diagram" on page 20).

* If the game PC board of another company has a stereo speaker output, connect the right speaker output to "J13" of the wiring harness to make it stereo. (see "10 Wiring Diagram" on page 20).

6 . Adjustment (Service panel and power supply)

When you open the Maintenance Door, there are adjustment switches.

① Volume

With these volume knobs , you can adjust the volume of the speakers separately for left and right.

If the volume is insufficient even when maximized check also the volume on the Game PC Board

② Service Button

Pressing this Button will increase the number of credits without activating the coin counter.

③ Test Switch

Set this switch to "ON" to enter the test mode for the Game PC Board – For details specific to each game, refer to the instruction manual of that game PC board

※ Service switches are also available where the coin door is opened. (translator fact check)

④ CRT Degaussing button

Depending on the layout of the cabinet and the condition of the building, color unevenness may occur on the screen due to the influence of the geomagnetism. In such a case, press the degaussing button to degauss the CRT monitor assembly.

⑤ Service outlet

You can use devices with output capacities up to 100v 1A Please use it for maintenance.

※ Please do not connect any additional gaming devices or octopus wiring- it would be dangerous

⑥ Power Switch

It is used for daily maintenance in the cabinet

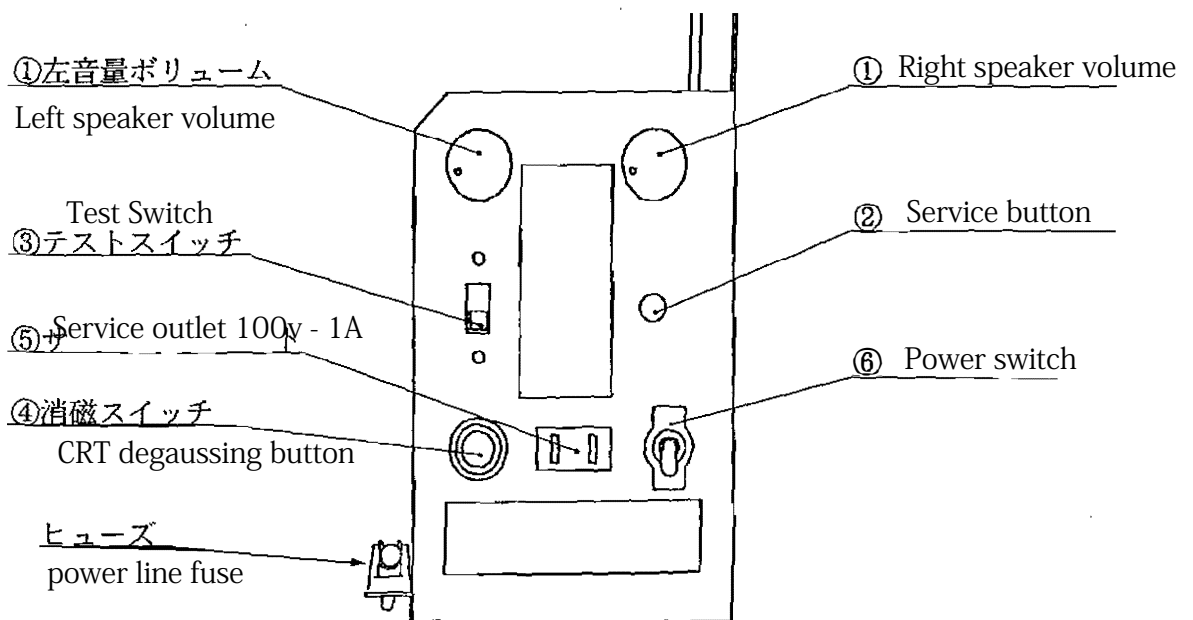


Figure 4

7 . Routine Maintenance

To prevent danger, be sure to turn the power off before proceeding

7 – 1 How to remove the Control Panel Cover

- (1) Unlock with keys on the underside of the control panel cover (2 places one each side).
- (2) Pull the control panel cover up and towards you until it rests on the stoppers
- (3) Unplug the button and lever connectors (J8, J9, J10, J11)
- (4) Remove the Control Panel Cover from the main body by lifting straight up

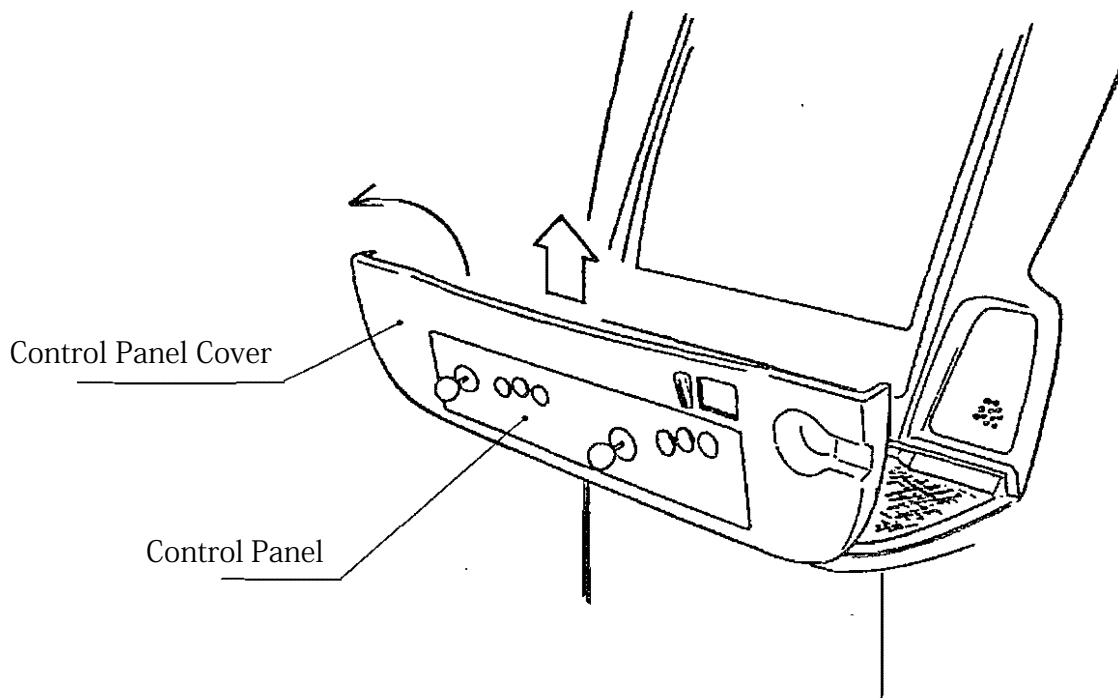


Figure 5

7 – 2 How to remove the Face Cover

- (1) Either open or Remove the Control Panel Cover (refer P10 section 7-1 how to remove the Control Panel Cover)
- (2) Remove the two butterfly wing bolts and two washers, one each side under the Control Panel Cover

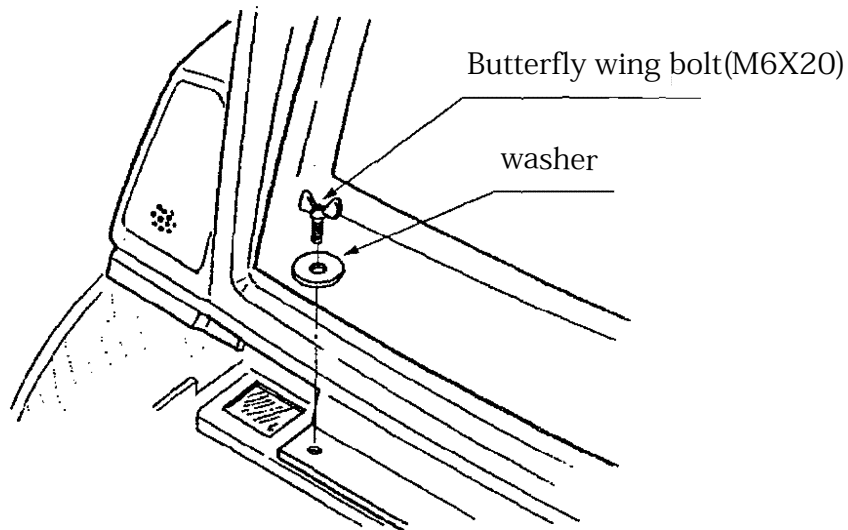


Figure6

- (3) Hold both sides of the face panel to open it - When open fix it securely on the left and right with the Brace/Stay

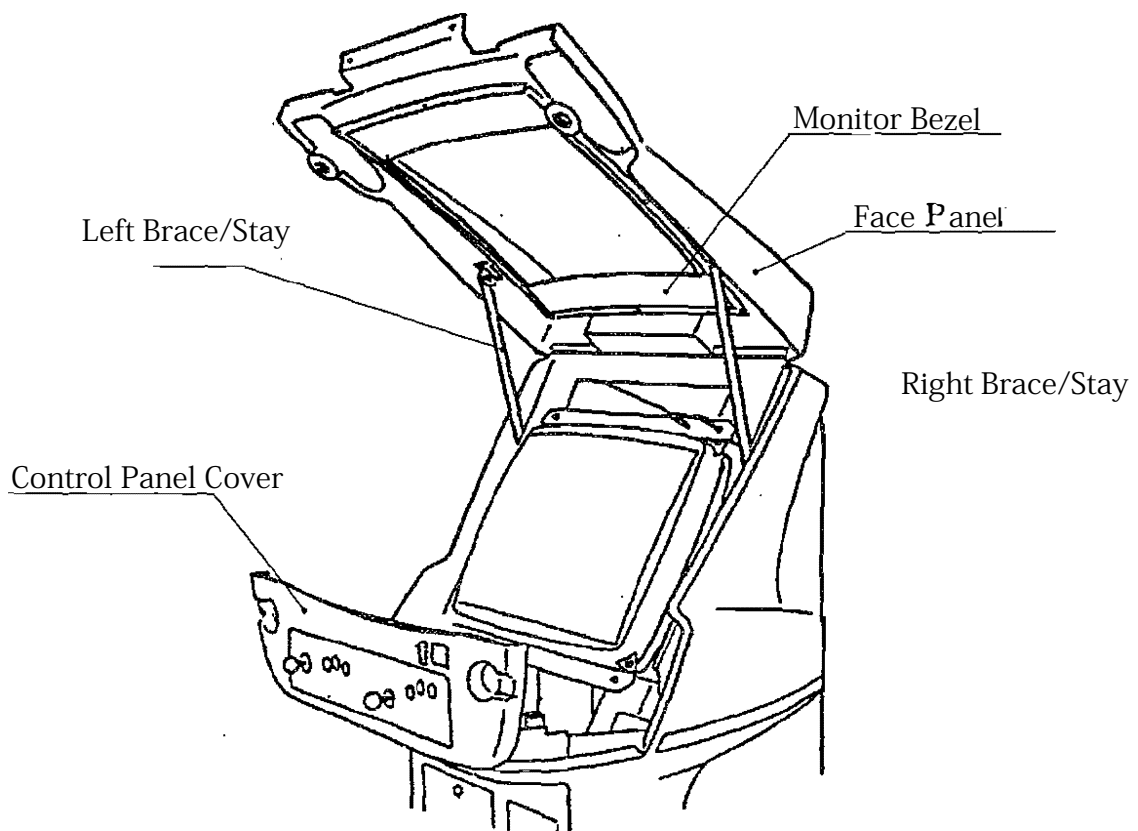


Figure7

7 – 3 How to remove the Monitor Assembly

Be sure to work with two people as it is heavy

- (1) Remove the control panel cover. (Refer to p10 section 7-1 "How to remove the control panel cover")
- (2) Open the face panel. (Refer to p11 section 7-2 "How to open the face panel")
- (3) Open the maintenance door and disconnect the connectors (J 6, J 7) connected to the monitor assembly.
- (4) Remove the four hexagon bolts (M8X20) that secure the monitor assembly corners.
- (5) Hold the upper handle of the monitor assembly and tilt it toward you to disengage the End Boss at the rear of the monitor frame from the Slide Guide at the back of the cabinet
- (6) Hold both handles and lift the monitor assembly out of the cabinet

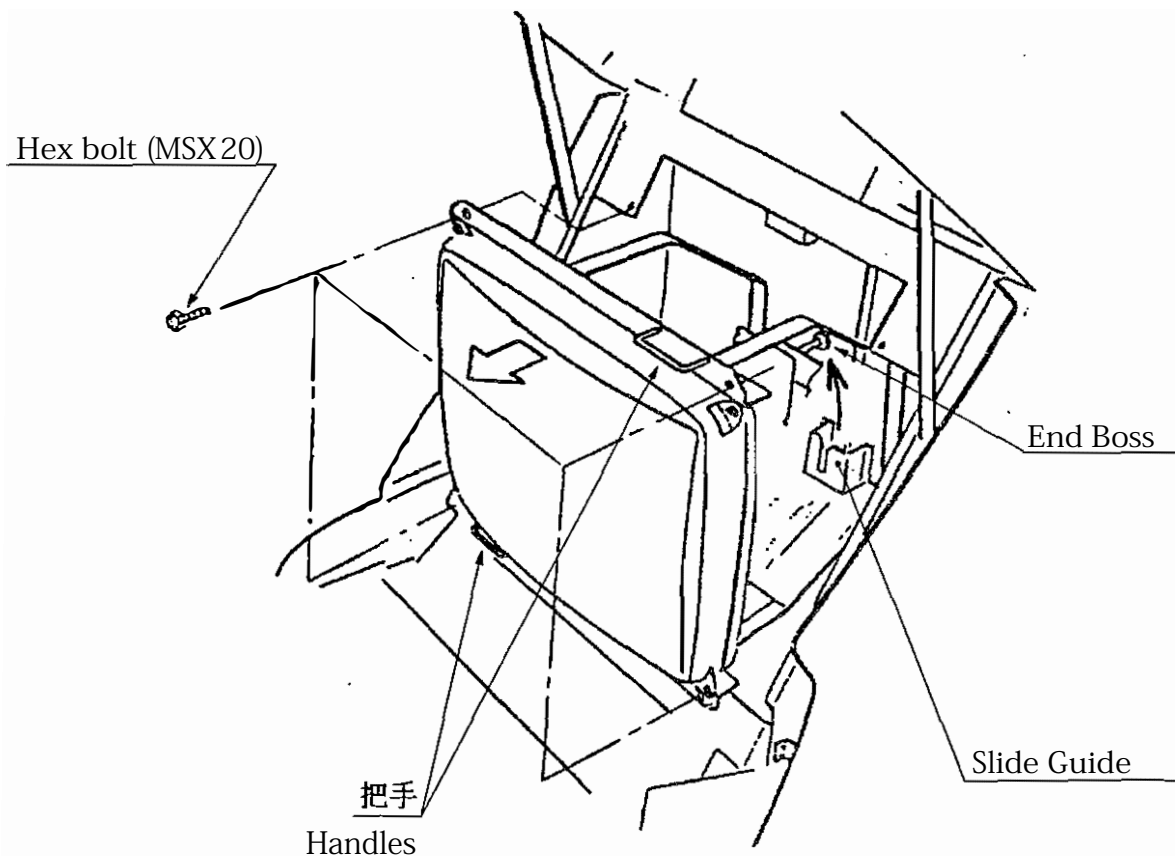
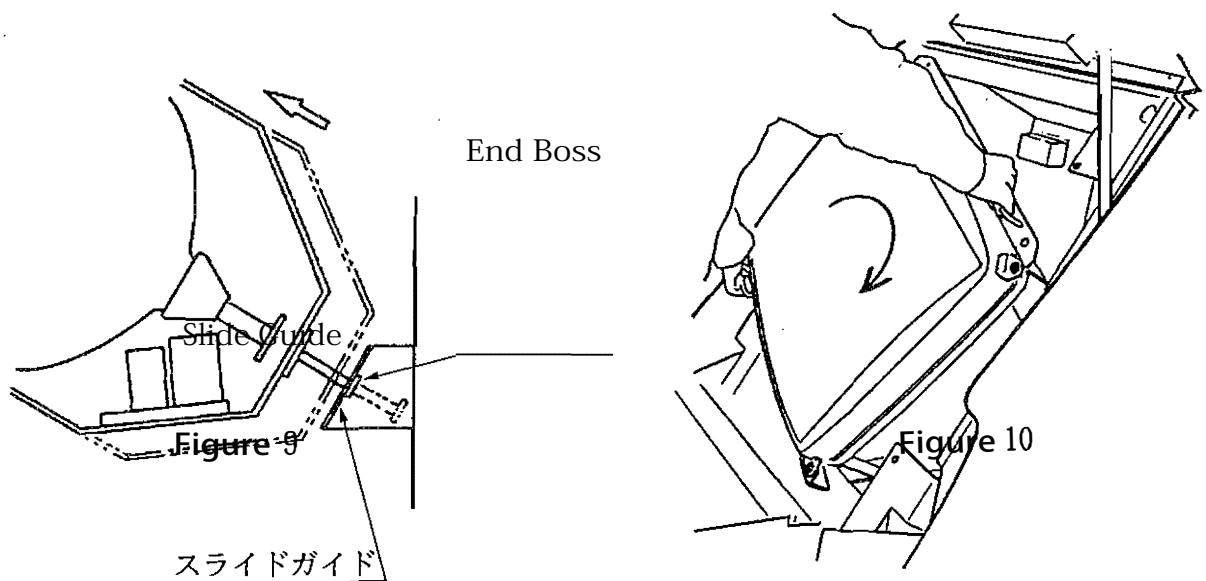


Figure 8

7-4 How to change the orientation of the monitor assembly

Be sure to work with two people as it is heavy.

- (1) Open the control panel cover. (See Page 10 7-1 "How to remove the control panel cover")
(Working is easier if you remove the control panel cover completely.)
- (2) Open the face panel. (Refer to P11 7-2 "How to open the face panel")
- (3) Remove the four hexagon bolts (M8X20) that secure the monitor assembly.
- (4) Pull out the monitor assembly until the end boss hits the slide guide.
- (5) Rotate 90° in the direction of the arrow in Fig. 10 (clockwise) to make a vertical screen.



- (6) Secure the monitor assembly by replacing the four hexagon bolts in step 3
 - (7) Remove the eight screws (M4X10) that secure the monitor bezel.
 - (8) Rotate the monitor bezel 90° to install it.
 - (9) Replace the eight screws (M4 x 10) that secure the monitor bezel
- ※ When changing from the vertical screen to the horizontal screen, rotate it 90° in the opposite direction of the arrow and attach it so that the monitor remote adjustment board is on the lower side.
 - ※ If the orientation of the image is upside down, refer to the instruction manual of the Game PC board and flip it.

7 – 5 Support for medium resolution monitor specification games

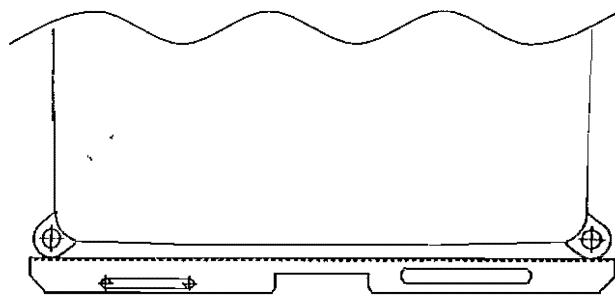
This unit is compatible with medium-resolution monitor specification game PC boards, and the horizontal synchronization frequency can be switched from 15KHz to 24KHz (medium-resolution specification).
Check the monitor manufacturer by referring to Figures 11 and 12.

• For Toei monitors

No work is required as it switches automatically.

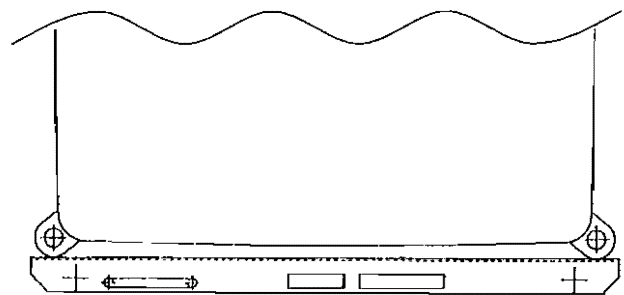
• For Nanao monitors

- (1) Turn off the power and remove the Monitor Assembly. Refer to Page 12 7-3 "how to remove the monitor assembly"
- (2) Replace the switching tap on the monitor PC board from ① to ② in Fig. 11 (see Fig. 13). Normally, it is the position of ①.
- (3) When the switch is complete, re-install the Monitor Assembly



Toei Monitor

Figure 11



Nanao Monitor

Figure 12

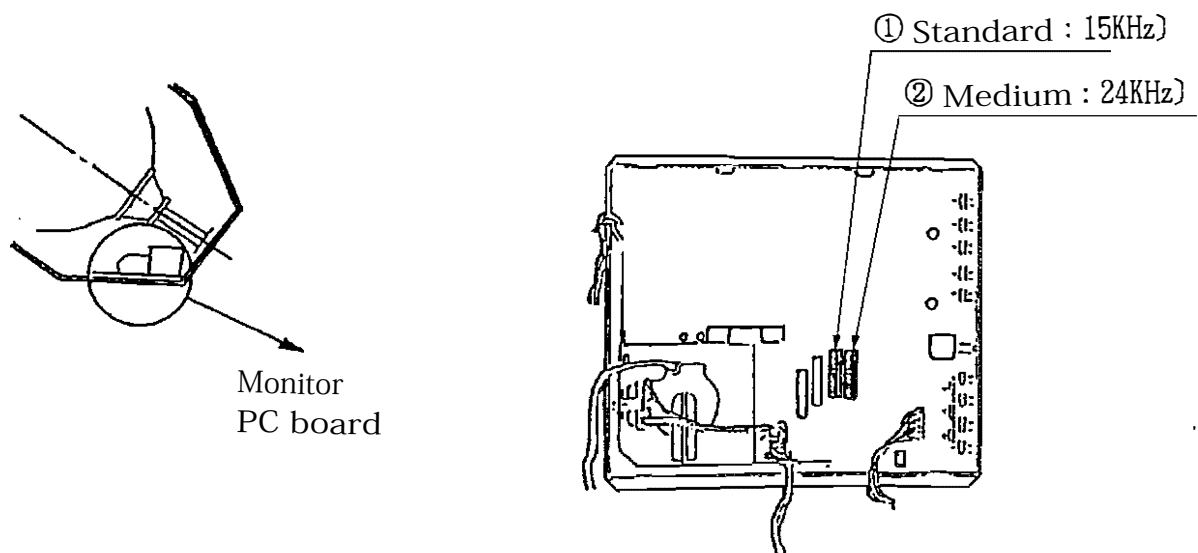
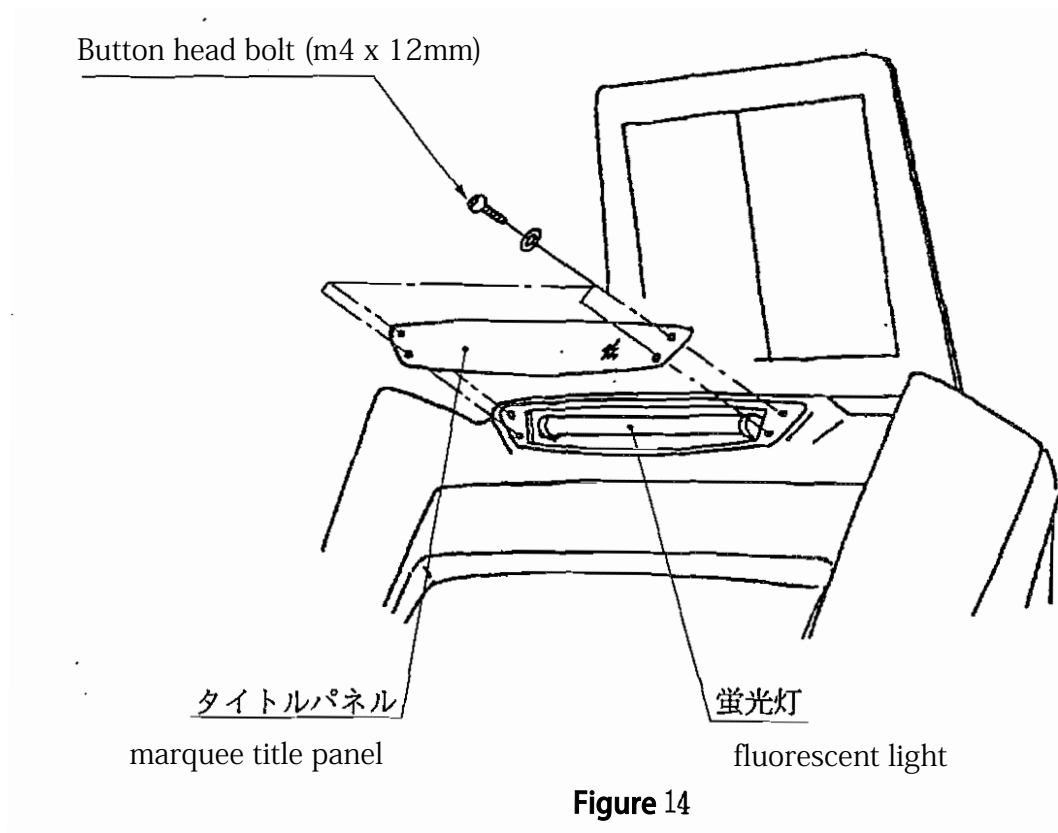


Figure 13

Monitor PC Board

7 – 6 How to change the florescent lamp

- (1) Remove the four button bolts (M4 X 12) and remove the marquee title panel.
- (2) Replace the fluorescent light.



7 – 7 How to replace the fuse in the power panel assembly

To prevent danger, be sure to disconnect the power cord before starting work

- 1) When you open the maintenance door, you will find the power panel assembly.
- 2) Replace the fuse (see Figure 4 on page 9).

※ To remove the entire power panel assembly remove one screw (M4X10) on the front side at the bottom then slide forward

7 – 8 How to use Coin (B) PC board (for mahjong games, etc)

There is a coin (B) PC board in the back of the power board assembly.
Use the following functions as needed.

At the time of shipment, the coin counter is linked to the input of the coin switch.
Since it has a fraud prevention function, it is difficult to input even if the micro switch is turned "ON" by hand.

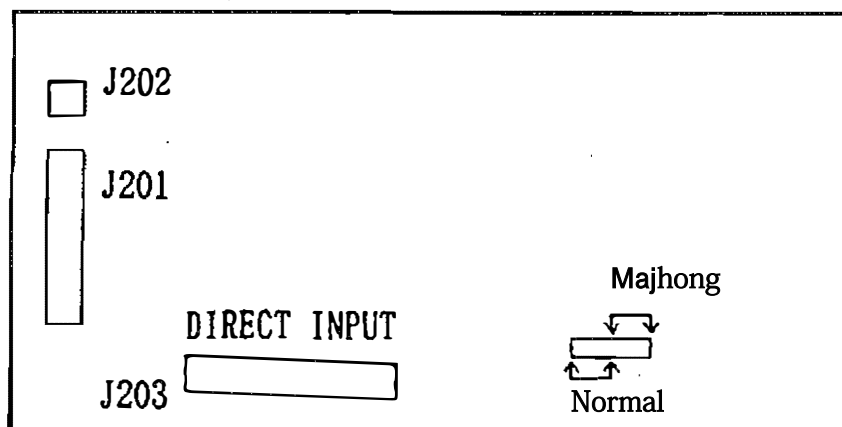
Normally, connect the connector to (J201) side.

The direct input connector (J203) is a
connector for changing the coin counter to the signal on the game PC board instead. Use
this when you do not want the coin counter to be counted in the coin switch test function
of the Game PC board, or when the Coin (B) PC Board breaks down

(When using Mahjong game PC board)

Replace the jumper pin from the "normal" side to the "mahjong" side. (This is a measure to enable the
service switch in the mahjong game.)

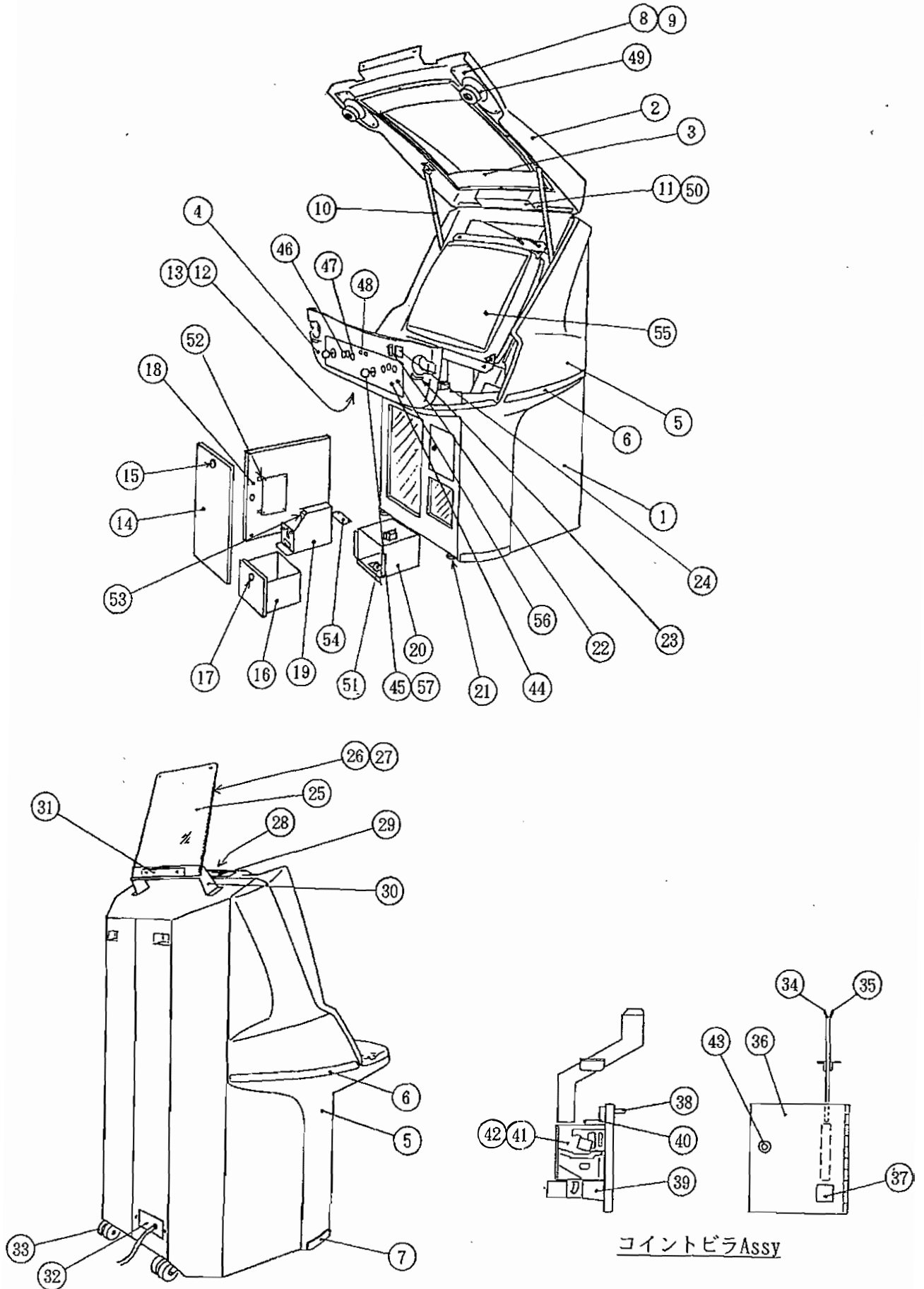
※ Normally, connect to the "normal" side.



Coin (B) P C board

Figure 15

8 . Parts List



No.	Part Name	Qty	Part #
1	Main unit	1	413-01
2	Face Panel	1	413-620
3	Monitor Bezel	1	413-630
4	Control Panel Cover	1	413-627
5	Side Panel L_+ R set	1	413-624
6	Upper protector (L+R)	1	413-613
7	Lower protector (each)	2	413-614
8	Speaker cover	2	413-619
9	Speaker bracket	2	413-618
10	Brace/Stay for face panel	2	413-120
11	Fluorescent Starter FG-1E	1	413-211
12	Control Panel	1	413-301
13	Coin Lock SP-81ML-2	2	101-019
14	Maintenance Door	1	412-188
15	Coin Lock SP-81MS-1	1	268-302
16	Cash Box	1	412-183
17	Magnetic Lock VM78ZR	1	101-031
18	PC board base	1	412-130
19	Service / Power Panel	1	412-131
20	Cash Case	1	412-121
21	Level Adjuster C-270-3	2	—
22	Coin Entry	1	410-213
23	Cup Holder bracket	2	413-492
24	100 YEN sticker	1	413-491
25	Signboard Back cover	1	409-132
26	Signboard Front Cover	1	409-131
27	Signboard screw/washer/nut	2	409-133
28	Namco title panel	1	413-291
29	Lamp cover	1	413-617
30	Signboard base	1	413-128

No.	Part Name	Qty	Part #
31	Signboard Base/Clamp	1	413-129
32	Ground Terminal Box	1	413-111
33	Caster/wheel 155-N-50	4	102-022
34	Coin Rail Part A	1	413-118
35	Coin Rail Part B	1	413-119
36	Coin Door	1	412-411
37	Reject coin cover	1	412-415
38	Cancel pin	1	412-416
39	Reject coin holder	1	412-451
40	Cancel Arm	1	412-414
41	Coin Mech N-563-1	1	100-004
42	Coin Mech C-103	1	100-050
43	Coin Lock SP-81MS-1	1	268-302
44	Control panel assembly (2L 4B)	1	413-391
45	Seimitsu Lever LS-40-N	2	305-700
46	Seimitsu Button PS-14-G (30mm)	4	305-380
47	Seimitsu Blank AM-30 (30mm)	2	305-364
48	Seimitsu Button PS-14-D (24mm)	2	305-385
49	Speaker FC100G93-7	2	006-081
50	Fluorescent light FL-10W	1	002-043
51	Coin Counter NX-06PD	1	003-025
52	PC board legs PSB-108-B	4	409-022
53	Power supply SWR1205P62	1	009-031
54	Coin (B) PC board	1	461-601
55	Monitor Assembly	1	—
56	Control panel sticker (NG071)	1	413-392
57	Lever ball top (35mm)	1	305-187

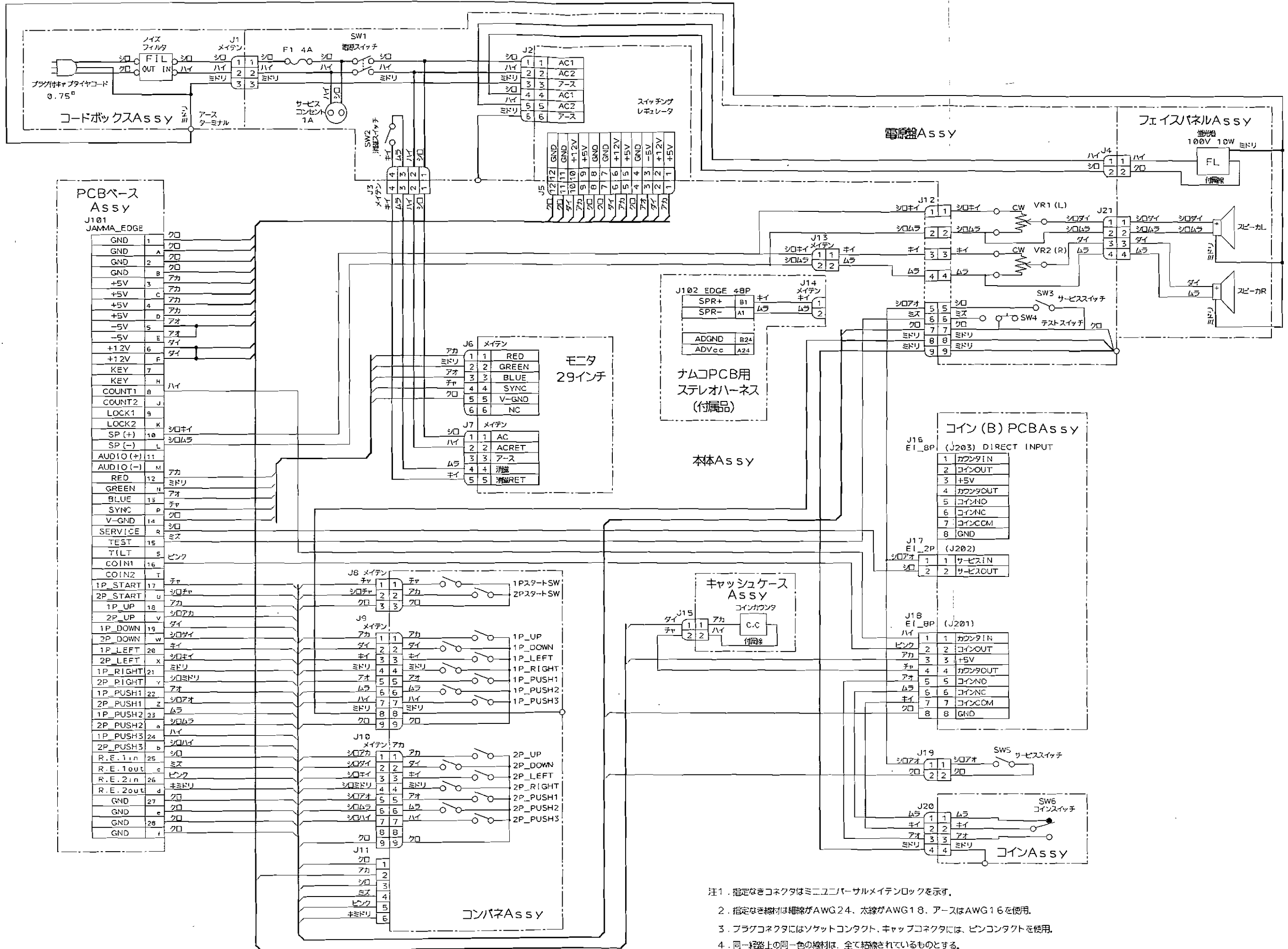
9 . Troubleshooting

Please note and confirm the following before considering it as a malfunction.

- (1) The power supply can be used in the range of AC 90 to 110 V, but if a large-scale device (air conditioner, many pinpols, large vehicles, etc.) is connected to the same power supply line, this range can be used. The power supply voltage may fluctuate beyond this, which may cause a malfunction or malfunction.
 - (2) If the machine does not operate even after turning on the power, turn it on again. If it still does not work, check the fuse.
 - (3) There are relatively many failures due to loose connectors. Check the wiring connections.
 - (4) If the game P C board is covered with foreign matter or dust, it may cause malfunction or malfunction, so always keep it clean.
 - (5) Perform the electrical check by looking at the wiring diagram and checking the number of the connector to which the component is connected, the color of the wiring, and so on.
- If the above items do not apply, or if there is no improvement due to the countermeasures, please contact the place of purchase or the contact information on the back.
 - The P C board will be repaired at the place of purchase, so please do not check the continuity with a tester. The internal voltage of the tester can destroy the I C.

When sending a repaired product, wrap it in a sponge or air cap and put it in a dumbbell box to prevent external force from being applied directly. Also, in the case of a monitor, pack it in a wooden frame so that an excessive load is not applied to the plow tube or P C board.

10. 配線図 Wiring Diagram



- 注1. 指定なきコネクタはミニユニバーサルメイトロックを示す。
 2. 指定なき線材は細線がAWG24、太線がAWG18、アースはAWG16を使用。
 3. プラグコネクタにはソケットコンタクト、キャップコネクタには、ピンコンタクトを使用。
 4. 同一経路上の同一色の線材は、全て結線されているものとする。