

CONTENTS

1.	BEFORE USING THIS PRODUCT	3
1.1.	INSPECTIONS IMMEDIATELY AFTER TRANSPORTING THE PRODUCT TO THE LOCATION	4
2.	INTRODUCTION TO THIS SERVICE MANUAL	6
3.	INSTALLATION AND SERVICE INSTRUCTIONS	7
3.1.	HANDLING AND INSTALLATION PRECAUTIONS	7
3.2.	COIN HANDLING	7
3.3.	NAME OF PARTS	8
3.4.	ACCESSORIES	9
3.5.	RETURNING THE GAME BOARD	10
3.6.	ASSEMBLY INSTRUCTIONS	11
3.6.1.	INSTALLING THE BILLBOARD	12
3.6.2.	CONNECTING SEAT AND CONTROL CABINET ASSEMBLIES	13
3.6.3.	CONNECTING CONTROL TO MONITOR CABINET ASSEMBLIES	14
3.6.4.	SECURING IN PLACE (LEG ADJUSTER ADJUSTMENT)	15
3.6.5.	COIN HANDLING INSTALLATION	16
3.6.5.1.	WIRING CONNECTIONS	17
3.6.6.	FITTING GAME SPECIFIC PARTS	18
3.6.6.1.	FITTING GAME SPECIFIC DISPLAY CARD	18
3.6.6.2.	FITTING GAME SPECIFIC PLAY INSTRUCTION	18
3.6.7.	CONNECTION TO THE POWER SUPPLY	19
3.7.	MOVING THE MACHINE	20
3.8.	FUSES	21
3.9.	REPLACEMENT OF FLUORESCENT LAMP	22
3.9.1.	FLUORESCENT LAMP REPLACEMENT	22
3.10.	TROUBLESHOOTING	23
3.11.	GAME BOARD REMOVAL / FITTING NEW ROM CASE	24
3.11.1.	GAME BOARD REMOVAL	24
3.11.2.	FITTING NEW ROM CASE	25
3.11.3.	GD ROM Unit	25
3.12.	DEGAUSSING THE MONITOR	26
3.13.	PERIODIC CHECK AND INSPECTION	27
3.13.1.	CLEANING THE CABINET SURFACES	27
4.	MAINTENANCE INSTRUCTIONS	28
4.1.	EXPLANATION OF TEST AND DATA DISPLAY	28
4.1.1.	VTS ASSEMBLY	29
4.1.2.	TEST MODE	30
5.	COIN MECH INSTALLATION AND CREDIT BOARD SET UP	31
5.1.1.	PRICE OF PLAY SETTINGS UK	33
5.1.2.	PRICE OF PLAY SETTINGS EURO	34
5.1.3.	PRICE OF PLAY SETTINGS Austria-Czech-Denmark-Norway-Israel-France2	35
5.1.4.	PRICE OF PLAY SETTINGS - BELGIUM	36
5.1.5.	PRICE OF PLAY SETTINGS - FRANCE	37
5.1.6.	PRICE OF PLAY SETTINGS - ITALY	38
5.1.7.	PRICE OF PLAY SETTINGS - PORTUGAL	39
5.1.8.	PRICE OF PLAY SETTINGS - NETHERLANDS	40
5.1.9.	PRICE OF PLAY SETTINGS - SPAIN	41
6.	DESIGN RELATED PARTS	42
7.	PARTS LIST	43
7.1.	NOT-0000*UK TOP ASSY NAOMI 38 (GAME SPECIFIC)	43
7.2.	NOT-0000UK TOP ASSY	44
7.3.	NOK-1000UK ASSY CONTROL CABINET	45
7.4.	NOK-1200UK ASSY AC UNIT	47
7.5.	NOK-1300UK ASSY CONTROL PANEL	48
7.6.	NOK-13*0UK ASSY PANEL 1L*B *P	49
7.7.	NOK-15**UK ASSY MAIN BD GAME SPECIFIC	50
7.8.	NOK-1400UK ASSY ELEC	51
7.9.	NOK-1600UK ASSY AUDIO	52
7.10.	NOK-2000UK ASSY SEAT CABINET	53
7.11.	NOK-2100UK ASSY WOOFER	54
7.12.	NOT-3000UK ASSY MONITOR CABINET	55
8.	APPENDIX A – WIRE COLOURS AND ELECTRICAL SCHEMATIC	57

1. BEFORE USING THIS PRODUCT

To ensure safe usage be sure to read the following before using the product. The following instructions are intended for the use of QUALIFIED SERVICE PERSONNEL ONLY.

If any activity is carried out on the product, this should be done only after carefully reading and sufficiently understanding the instructions.

Only qualified service personnel should carry out maintenance on the product.

Depending on the potential risk, terms such as "WARNING!" "CAUTION" and "IMPORTANT!" are used where an explanation is given that requires special attention. SEGA is not responsible for injury or damage caused by use in a manner contrary to the instructions given in this document.

In order to prevent accidents warning stickers and printed instructions are applied in the places where a potentially hazardous situation relating to the product could arise. Be sure to comply with these warnings.



WARNING!

Indicates that mishandling the product by disregarding this warning will cause a potentially hazardous situation that can result in death or serious injury.



CAUTION!

Indicates that mishandling the product by disregarding this caution will cause a potentially hazardous situation that can result in personal injury and or material damage.



IMPORTANT!

This is cautionary information that should be complied with when handling the product. Indicates that mishandling the product by disregarding this will cause a potentially hazardous situation that may not result in personal injury but could damage the product.

Be sure to turn off the power and disconnect from the mains supply before working on the machine.

Ensure that the correct fuses are fitted to the machine. Details of these are enclosed in the Service Manual.

Ensure that only qualified Service Engineers perform any maintenance work on the machine.

Specification changes, removal of equipment, conversion and/or additions not designated by SEGA are not permitted and will invalidate this product's CE conformity.

Warning labels or safety covers for personal protection etc, are component parts of the product. A potential hazard will be created if the machine is operated while any parts have been removed. Do not operate the product if any doors, lids or protective covers become damaged or lost. SEGA is not liable in any whatsoever for any injury and/or damage caused by specification changes not designated by SEGA.

Before installing the product, check for the Electrical Specification Sticker, SEGA products have a sticker on which the electrical specifications are detailed. Ensure that the product is compatible with the power supply voltage and frequency requirements of the location in which the machine is to be installed.

Install and operate the machine only in places where appropriate lighting is available, allowing warning stickers to be clearly read.

To ensure maximum safety for customers and operators, stickers and printed instructions describing potentially hazardous situations are applied to potentially hazardous locations. Ensure that the product's operating location has sufficient lighting to allow any warnings to be read. If any sticker or printed warning is removed or defaced, do not operate the machine until an identical item has replaced it.

Exercise great care when handling the monitor (applies only to product with monitor). Some of the monitor (TV) parts are subject to high-tension voltage. Even after turning the power off some components are liable to high-tension voltage. Only qualified service engineers should perform monitor repair and replacement.

In cases where commercially available monitors and printers are used, only the items relating to this product are contained in this manual. Some commercially available equipment will have functions and reactions not referred to in this manual. This manual should be read in conjunction with the specific manufacturer's manual for such equipment.

Descriptions contained herein may be subject to change without prior notification.

The contents described herein are fully prepared with due care. However, should any question arise or errors be found please contact **SEGA AMUSEMENTS EUROPE LTD.**

1.1. INSPECTIONS IMMEDIATELY AFTER TRANSPORTING THE PRODUCT TO THE LOCATION



- Only QUALIFIED SERVICE PERSONNEL should carry out inspection.

Normally, at the time of shipment, SEGA products are in a state to allowing usage immediately after transporting to the location. Nevertheless, an irregular situation may arise during transportation preventing this. Before turning on the power, check the following points to ensure that the product has been transported safely.

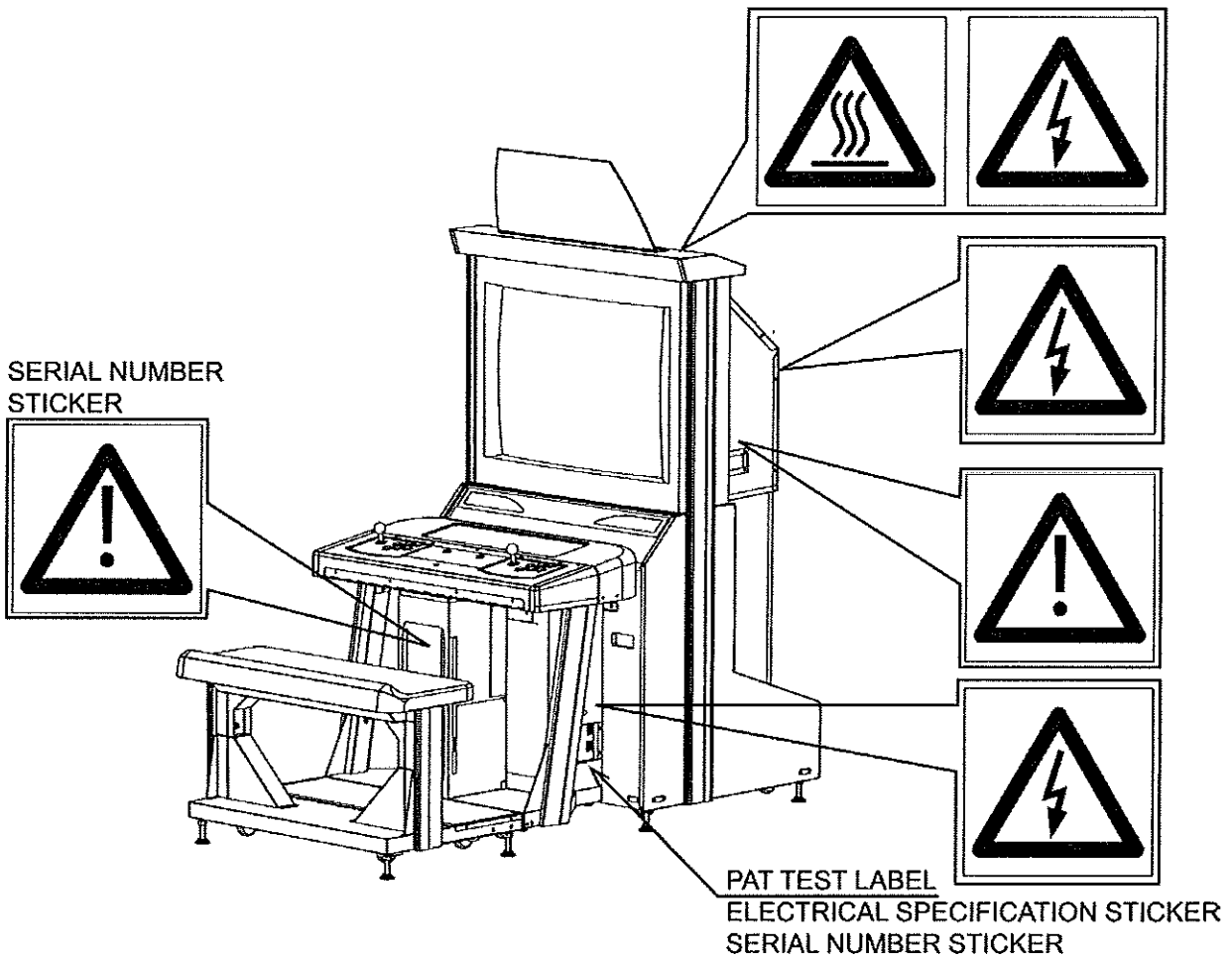
- Are there any dented parts or defects (cuts, etc.) on the external surfaces of the product?
- Are castors and leg adjusters present and undamaged?
- Do the power supply voltage and frequency requirements meet with the local supply?
- Are all wiring connectors correctly and securely connected? Unless connected in the correct direction, connector connections cannot be made successfully. Do not insert connectors forcibly.
- Are all IC's of each IC BD firmly inserted?
- Does the power cord have any cuts or dents?
- Do fuses meet the specified rating?
- Are such units such as monitors, control equipment, IC BD, etc. firmly secured?
- Are all earth wires connected?
- Are all accessories available?
- Can all doors and lids be opened with the accessory keys and/or tools?

CONCERNING THE STICKER DISPLAY

SEGA product has stickers describing the product manufacture number (Serial Number) and electrical specification. If you require service assistance you will require the Serial Number. Identical machines may have different parts fitted internally. Only by quoting the Serial Number will the correct parts be identified.

CONCERNING WARNING STICKERS

SEGA product has warning displays on stickers, labels or printed instructions adhered/attached to or incorporated in the places where hazardous situations can arise. The warning displays are intended for the accident prevention of customers and service personnel.



SPECIFICATIONS	
Installation Space (mm):	1354 x 2381
Height (mm):	2144
Approximate weight (kg):	308 Kg
Rated Voltage (VAC):	230 ±10%
Rated Current (A):	2.1
Operating Temperature Range	5-30°C

Note: Descriptions in this manual are subject to change without prior notice.

2. INTRODUCTION TO THIS SERVICE MANUAL

SEGA ENTERPRISES LTD, supported by its experience in electronic high technology of VLSIs, microprocessors etc, and with a wealth of experience, have for more than 30 years been supplying various innovative and popular games to the world market. This Service Manual is intended to provide detailed descriptions together with all the necessary information covering the general operation of electronic assemblies, electro-mechanicals, servicing controls, spare parts, etc. as regards NAOMI 38", a new SEGA product. This manual is intended for those who have knowledge of electricity and technical expertise especially in ICs, CRTs, microprocessors etc. Carefully read this manual to acquire sufficient knowledge before working on the machine. Should there be any malfunction, non-technical personnel should under no circumstances touch the interior systems. Should such a situation arise contact our head office.

SEGA AMUSEMENTS EUROPE LTD./ SEGA SERVICE CENTRE

Suite 3a
Oaks House
12 - 22 West Street
Epsom
Surrey
United Kingdom
KT18 7RG

Telephone: +44 (0) 1372 731820

Fax: +44 (0) 1372 731849

3. INSTALLATION AND SERVICE INSTRUCTIONS



- Only QUALIFIED SERVICE PERSONNEL should carry out installation and commissioning.

3.1. HANDLING AND INSTALLATION PRECAUTIONS

When installing or inspecting the machine, be very careful of the following points and pay attention to ensure that the player can enjoy the game safely.

The game must NOT be installed under the following conditions:

- Outside, the game is designed for indoor use only.
- In areas directly exposed to sunlight, high humidity, dust, excessive heat or extreme cold.
- In locations that would present an obstacle in the case of an emergency i.e. near fire equipment or emergency exits.
- On unstable surfaces or surfaces subject to vibration.
- Where liquids, other than routine cleaning, may come into contact with the game.

Important:

- This machine should only be installed by Qualified Service Personnel.
- Be sure to switch the supply power OFF and remove the mains supply plug from the machine before any work is carried out on the machine.
- Do not attempt to repair the PCBs (Printed Circuit Boards) yourself. This will void the warranty. The PCBs contain static sensitive devices that could be damaged.
- Always return a faulty part to your distributor with adequate packaging and protection.
- When removing the plug from the mains always grasp the plug not the cable.
- Do not use a fuse that does not meet the specified rating.
- Make sure all connections are secure before applying power.



- Ensure that the mains lead is not damaged. If the mains lead is damaged in any way there could be a danger of electric shock or a fire hazard.
- Ensure that the power supply is fitted with circuit protection. Using the power supply without circuit protection is a fire hazard.

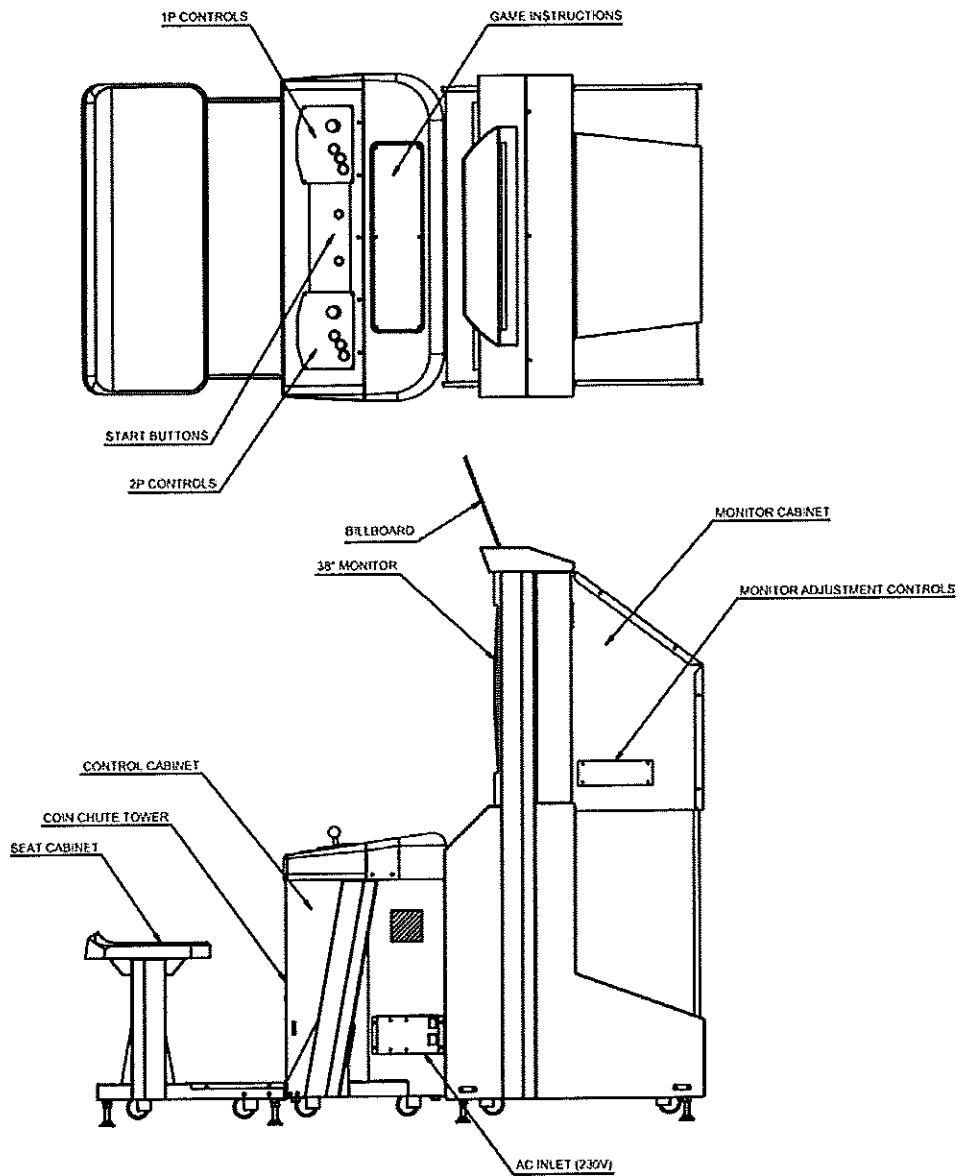
3.2. COIN HANDLING

As standard Sega machines are fitted with a SR3 coin mechanism and door, however, as a service to our customers Sega machines can be supplied with no coin mechanism or door allowing the customer to fit a coin handling option from the approved list. Fit only the coin handling arrangements detailed below and follow the instructions provided in section 3.6. Failure to fit the coin handling options detailed or failure to follow the installation instructions will render the machine, under the CE marking directive, void.

Approved coin handling options:

- Coin controls C120, C220B, SR3
- Generic mechanical
- Mars (MS111B1 and ME115)

3.3. NAME OF PARTS

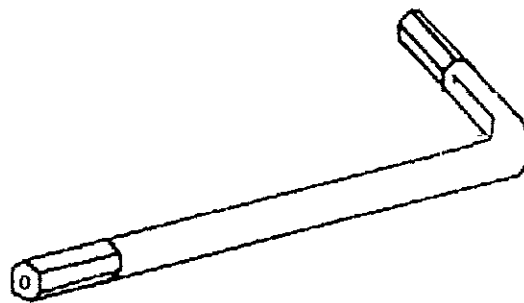


	Width (mm)	Length (mm)	Height (mm)	Approximate weight (kg)
Assy Control Cabinet	1050	520	910	78
Assy Seat Cabinet	1000	600	600	40
Assy MONITOR CABINET	1054	835	1862	190
When Assembled	1054	1981	2144	308

3.4. ACCESSORIES

The machine is supplied with an installation kit, the contents of which will vary according to the software supplied. Therefore, the list below outlines the parts common to all games.

<u>Item No.</u>	<u>Part Number</u>	<u>Qty</u>	<u>Description</u>
1	NOA-1301X	1	BILLBOARD PLATE
2	NOA-1302UK	1	BILLBOARD SHEET
3	NOT-0001UK	1	CABINET JOINT BRKT UPPER UPPER
4	NOK-0001UK	1	JOINT BRKT L
5	NOK-0002UK	1	JOINT BRKT R
7	OCN-7013UK	1	LOCK BAR A
8	NOK-0003UK	1	LOCK BAR B
13	OS1019	2	SELF SEAL BAG 9X12.3/4
101	540-0006-01	1	WRENCH M4 TMP PRF
108	440-CS0186UK	1	STICKER C EPILEPSY MULTI
201	008-T00416-0C	4	M4X16 TMP PRF TH CRM
202	FAS-300001	10	M8X20 BLT W/FS CRM
203	008-T00408-0C	3	M4X8 TMP PRF TH CRM
204	000-P00412-W	4	M4X12 MSCR PAN W/FS PAS
205	068-441616-0C	4	M4 WSHR 16OD FLT CRM
401	420-NOT-COM	1	SERVICE MANUAL NAOMI 38 COMMON
403	514-5078-5000	1	FUSE 5X20 CERAMIC SB 5000MA
404	420-3138-P	1	SERVICE MANUAL PENTRANIC 38" VGA



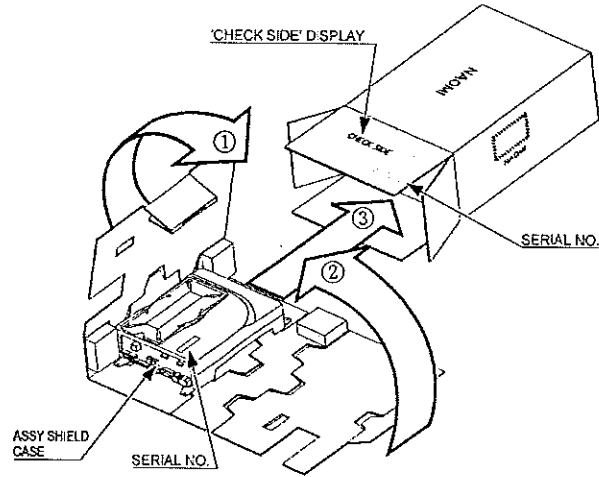
Item 540-0006-01 - Tamper-proof TORX wrench.

3.5. RETURNING THE GAME BOARD



IMPORTANT!

- When returning the GAME BOARD for repair or replacement, be sure to package the entire ASSY SHIELD CASE in the original card transit box - THERE ARE NO USER-SERVICEABLE PARTS INSIDE.
- Failure to return the GAME BOARD in this manner may invalidate the warranty.



Wrap the ASSY SHIELD CASE with the packaging material and put it in the original transit box as shown. Putting it upside down or packing otherwise in the manner not shown can damage the GAME BOARD and parts.

3.6. ASSEMBLY INSTRUCTIONS



WARNING!



IMPORTANT!

- Perform the assembly by following the procedure herein stated. Failure to comply with the instructions, for example, inserting the plug into an outlet at a stage not mentioned in this manual can cause an electric shock
 - Assembling should be performed as per this manual. Since this is a complex machine, erroneous assembling can cause damage to the machine, or malfunction to occur.
 - Do not attempt to complete this work alone, a minimum of 2 people are required.
- Only QUALIFIED SERVICE PERSONNEL should carry out assembly.

When carrying out the assembly work, follow the procedure in the following seven item sequence

- STEP 1 INSTALLING THE BILLBOARD**
- STEP 2 CONNECTING THE SEAT BASE AND THE FRONT CABINET**
- STEP 3 CONNECTING THE FRONT CABINET AND THE MONITOR CABINET**
- STEP 4 SECURING IN PLACE (LEG ADJUSTER ADJUSTMENT)**
- STEP 5 COIN HANDLING INSTALLATION**
- STEP 6 FITTING GAME SPECIFIC PARTS**
- STEP 7 CONNECTION TO THE POWER SUPPLY**
- STEP 8 ASSEMBLY CHECK**

Note that the parts contained within the installation kit are required for the assembly work.



CAUTION!

- Fit all fixings loosely first as detailed in step 1-3, then position all components before finally tightening fixings at step 4.

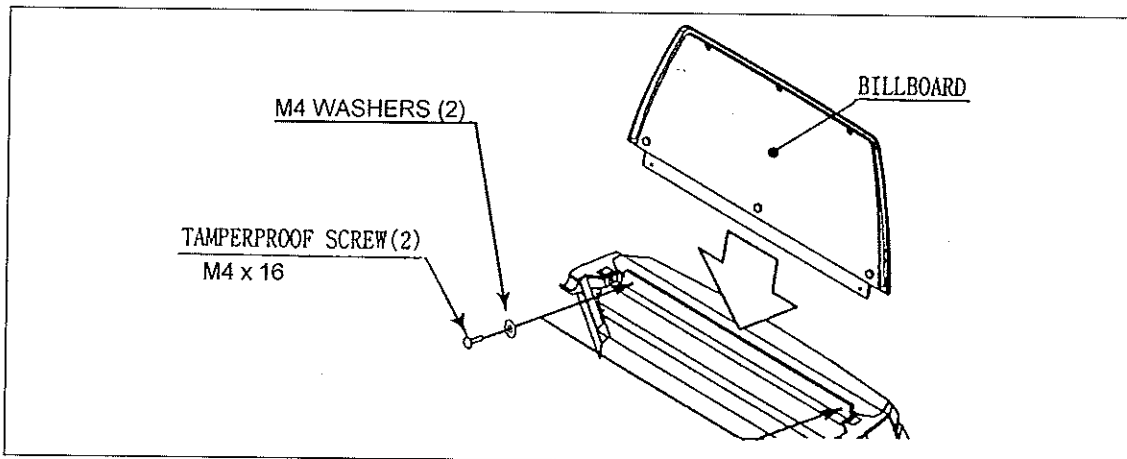
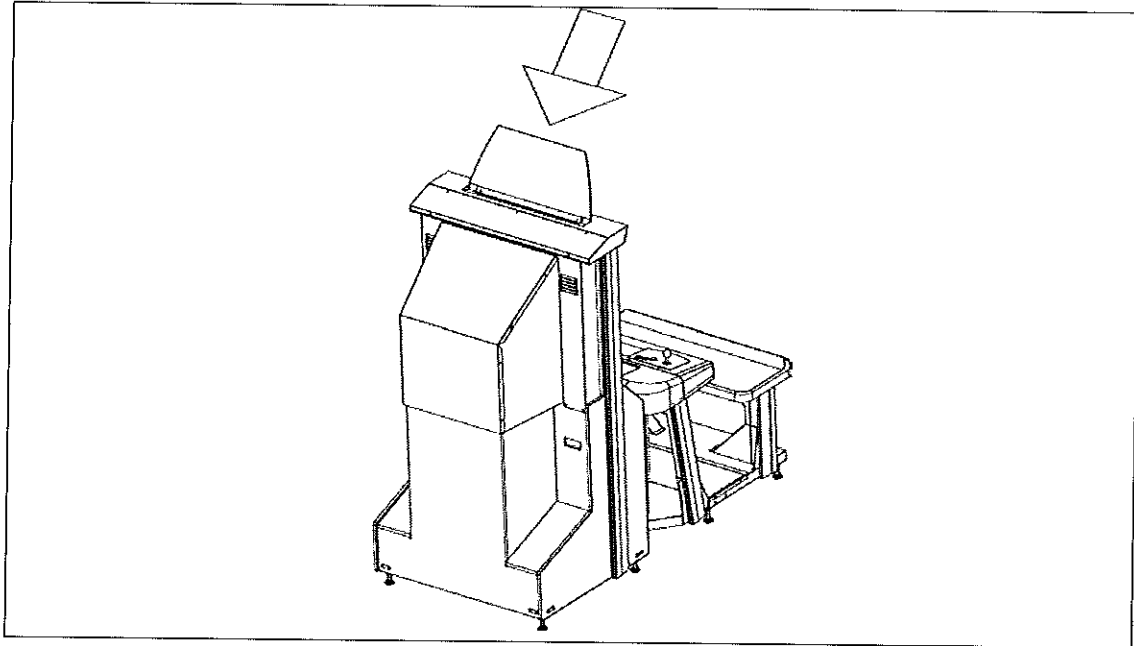
3.6.1. INSTALLING THE BILLBOARD



- Only QUALIFIED SERVICE PERSONNEL should carry out this operation.

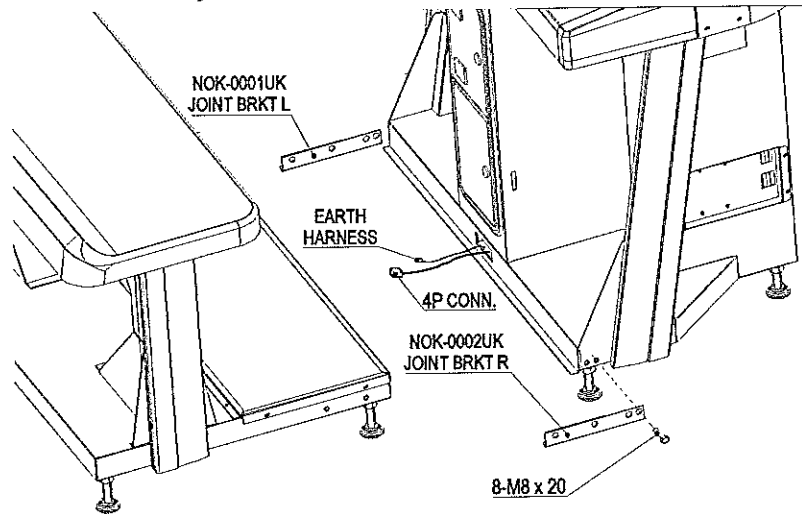
It is necessary to fit two Monitor Cabinet Supports (NOK-0004UK in the Installation Kit) to the MONITOR CABINET leg adjusters to increase its stability in the installed location. First move the MONITOR CABINET to the approximate final position of the game as it cannot be moved very far with the MONITOR CABINET Supports attached.

1. Insert ASSY BILLBOARD to the top part of the cabinet
2. Secure with the two Tamperproof Screws (Part No. 008-T00416-0C) and Washers (Part No. 068-441616-0C) supplied with the Installation Kit.



3.6.2. CONNECTING SEAT AND CONTROL CABINET ASSEMBLIES

Connect ASSY SEAT CABINET to ASSY CONTROL CABINET using the JOINT BRACKETS provided in the installation kit, connect the 4-way connector and secure the earth harness.

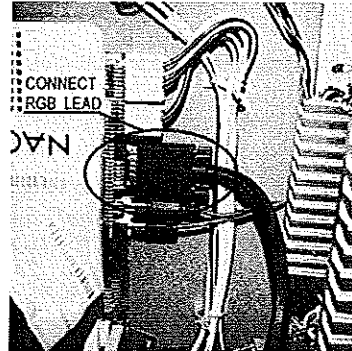


1. Position the ASSY SEAT CABINET in front of the ASSY CONTROL CABINET and connect the 2 way connector as shown. Use the M4 x 12 screw supplied in the Installation Kit to connect the earth harness to the ASSY SEAT CABINET.
2. Push the ASSY SEAT CABINET and the ASSY CONTROL CABINET together, and position the JOINT BRACKETS over the holes on either ASSY.
3. Bolt the JOINT BRACKETS in position using the eight M8 x 20 bolts provided.

3.6.3. CONNECTING CONTROL TO MONITOR CABINET ASSEMBLIES

1. Connect

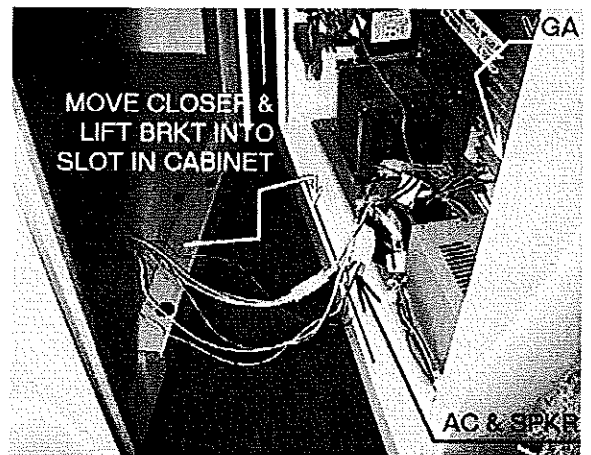
- VGA plug lead into gameboard socket.
- 3 Way U-P power connector
- 4 Way U-P speaker connector



- #### 2. Attach cabinet joint bracket upper (NOT-0001UK) with 2 x M4 screws (Part No. 008-T00416-0C) and washers (Part No. 068-441616-0C) supplied in the installation kit.



- #### 3. Lift monitor front end and locate joint bracket lower into control cabinet slot.



- #### 4. Fix upper bracket to monitor cabinet with 2 x M8 bolts (Part No. FAS-300001) supplied in the installation kit.

3.6.4. SECURING IN PLACE (LEG ADJUSTER ADJUSTMENT)



CAUTION!



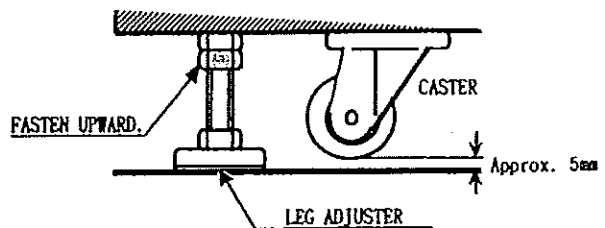
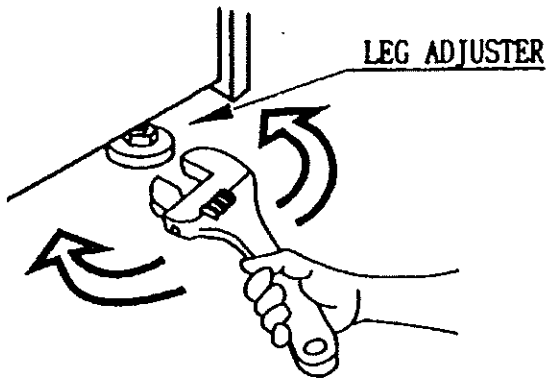
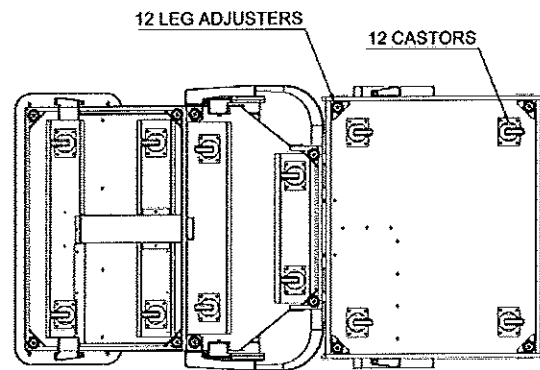
IMPORTANT!

- Make sure all of the leg adjusters are in contact with the floor. If they are not the machine may move and cause injury. This operation requires 2 people.

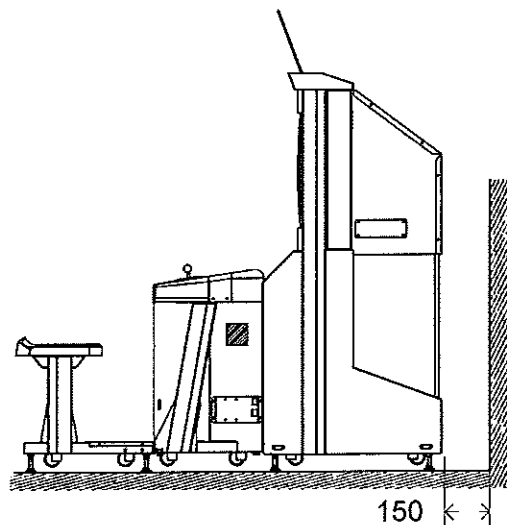
- Only QUALIFIED SERVICE PERSONNEL should carry out this operation.

This machine has four castors and two leg adjusters. When the installation position is decided, unscrew the leg adjusters so that they raise both front castors 7mm from the floor. Make sure the machine is level.

1. Move the product into the installed position.
2. Unscrew the adjusters until they are in contact the floor, and use a wrench to turn them further until the front castors are raised approximately 7mm above the floor.
3. Tighten the locknut on the leg adjusters upwards to lock the legs in position.



Ensure adequate ventilation is maintained as detailed below:

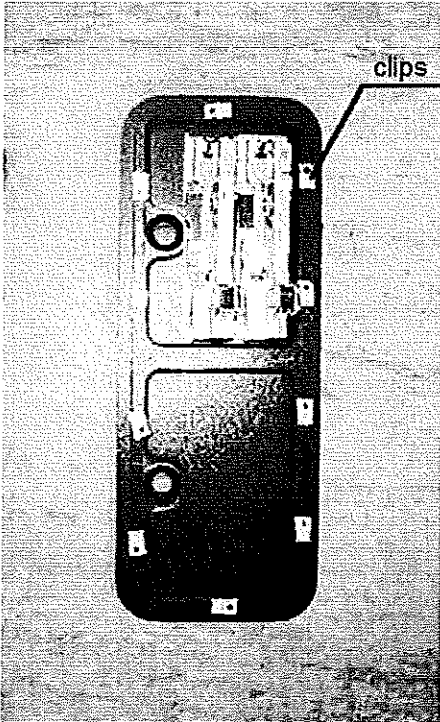


3.6.5. COIN HANDLING INSTALLATION.



- This operation should only be carried out by QUALIFIED SERVICE PERSONNEL.

When fitting the coin mechanism to the door please refer to the specific manufacturers installation instructions for that coin mechanism. To fit the door to the machine, follow the procedure below.



- Loosen all of the bolts on the frame which secure the clips.
- Turn all clips in towards the door.



- Position the door into the aperture in the machine.
- Turn the clips around so that they will hold the door in the machine.
- Tighten all of the bolts.

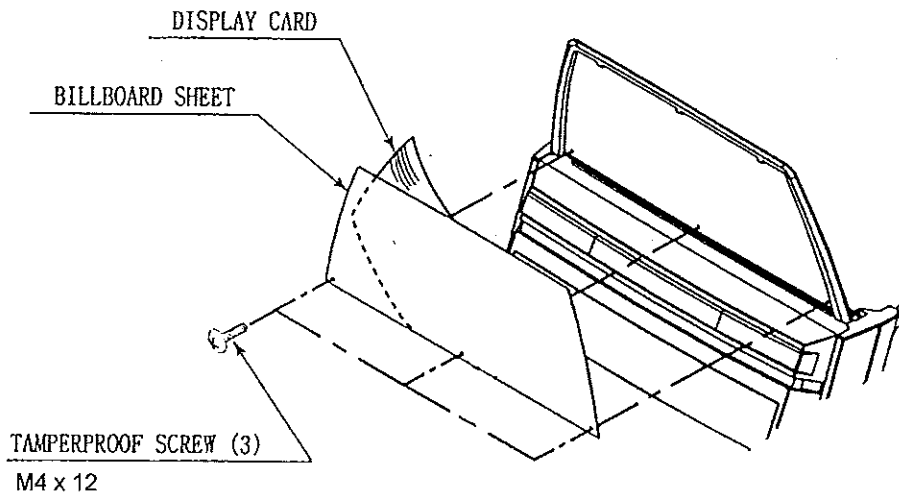
3.6.6. FITTING GAME SPECIFIC PARTS



• This operation should only be carried out by QUALIFIED SERVICE PERSONNEL.

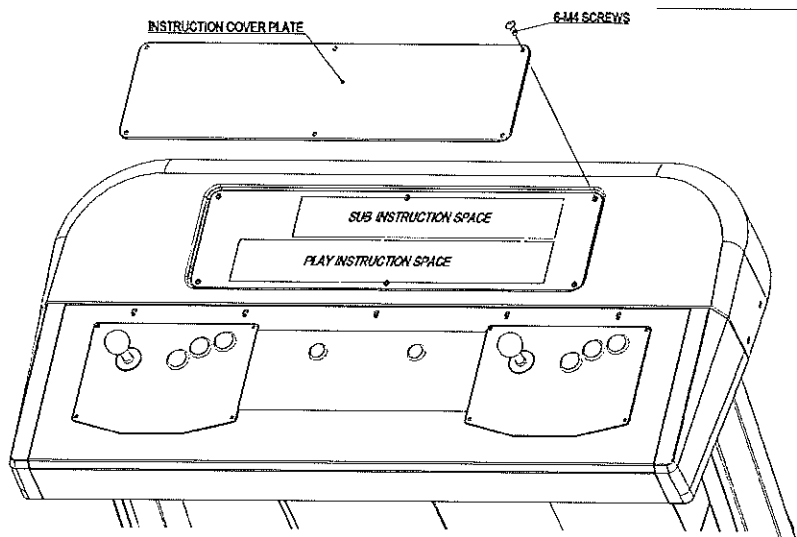
To fit GAME SPECIFIC PARTS supplied with the game software, refer to the following procedures.

3.6.6.1. FITTING GAME SPECIFIC DISPLAY CARD



3.6.6.2. FITTING GAME SPECIFIC PLAY INSTRUCTION

1. Remove the six M4 screws holding the INSTRUCTION COVER PLATE, and lift away to reveal the silver base sticker.
2. The Play Instructions should be applied to the corresponding areas on the base sticker. In some instances, special instructions may be supplied regarding official license identification – be sure to follow such instructions to comply with licensing requirements.
3. At this stage, the INSTRUCTION COVER PLATE and the six M4 screws may be replaced.

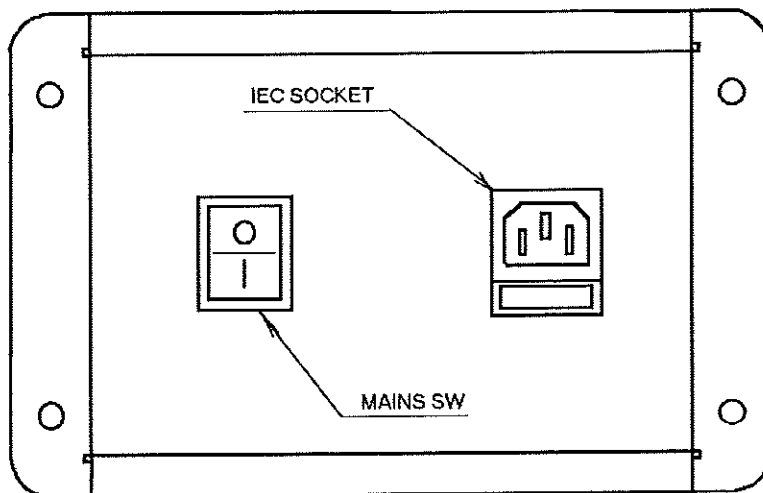


3.6.7. CONNECTION TO THE POWER SUPPLY



- This operation may only be carried out once the machine has been completely assembled.

1. Insert the mains cord into the wall socket.
2. Insert the IEC plug into the IEC socket on the AC unit of the machine.
3. Switch on the power supply unit at the wall.
4. Switch on the mains switch on the AC unit of the machine.



3.7. MOVING THE MACHINE



WARNING!



- When moving the machine, be sure to remove the plug from the power supply. Moving the machine with the plug inserted can cause the power cord to be damaged, resulting in a fire or electric shock.
- When moving the machine, retract the leg adjusters fully and ensure the casters make contact with the floor. During movement pay careful attention so that the casters or leg adjusters do not damage any other cabling laid on the floor. Such damage could result in a fire or electric shock.
- Only QUALIFIED SERVICE PERSONNEL should carry out this operation.

Provided the machine is being moved on a flat even surface it can remain in its assembled state. Moving the machine over any other form of surface should be carried out with it disassembled into its MONITOR CABINET, ASSY CONTROL CABINET and ASSY SEAT CABINET sections

Ensure all wiring connections between the MONITOR CABINET, ASSY CONTROL CABINET and ASSY SEAT CABINET have been disconnected before moving any part of the machine. Disconnection of these parts is carried out in reverse order of the procedure detailed in section 3.6

3.8. FUSES



WARNING!



- Never touch places other than those specified. Touching places other than those specified can cause electric shock and short circuit. Disconnect the machine from the supply before attempting the replacement of any fuse.

- Only QUALIFIED SERVICE PERSONNEL should replace FUSES.

There are a number of fuses used on this machine to protect the user and the machine from damage. Only replace the fuse once you have removed the cause of its failure. Detailed below is a list of the fuses used, their location and, if relevant, PCB reference:

PART NUMBER	LOCATION	TYPE & DETAILS	QTY
514-5078-6300	838-11856CE-02 (F1)	FUSE 5X20 CERAMIC SB 6300mA	1
514-5078-6300	838-13578 (F1)	FUSE 5X20 CERAMIC SB 6300mA	1
514-5078-3150	EP1302 IEC INLET	FUSE 5X20 CERAMIC SB 3150mA	1
514-5078-4000	400-5397-01 (F1)	FUSE 5X20 CERAMIC SB 4000mA	1

There are also fuses located on the MONITOR CABINET PCB. Refer to the relevant MONITOR CABINET manual supplied to reference these fuses.

3.10. TROUBLESHOOTING



- Only QUALIFIED SERVICE PERSONNEL should carry out these procedures.

If a problem occurs, first check the wiring connections.

PROBLEMS	CAUSE	COUNTERMEASURES
When the main switch is turned ON, the machine is not activated	The power is not ON.	Firmly insert the plug into the outlet.
	Incorrect power source/voltage.	Make sure that the power supply/voltage are correct.
	AC Unit CIRCUIT PROTECTION DEVICE (i.e.; fuse) was activated due to an instantaneous over current.	First, remove the cause of over current and reinstate the circuit protection device to its original status. Then identify the cause of the fault on the item, which caused the over current, & fix.
The colour image on the screen is incorrect	Incorrect monitor adjustment.	Make appropriate adjustments. See MONITOR CABINET service manual
The on-screen image of the monitor sways and/or shrinks	The power source and voltage are not correct.	Make sure that the power supply and voltage are correct.
Sound is not emitted	Sound volume adjustment is not correct.	Adjust the volume setting on the VTS bracket. See 4.1.1.
	Malfunctioning BD and Amp.	Perform Sound Test to check it. See Game Manual.
	Connector connection is incorrect	Check connector connection from Base to Speaker
The fluorescent lamp does not light up	Fluorescent lamp needs replacement	Replace the fluorescent lamp. (3.8)
	The connector is disconnected	Check connector connections in the billboard case. (3.6.1. and 3.6.2.)

3.9. REPLACEMENT OF FLUORESCENT LAMP



WARNING!



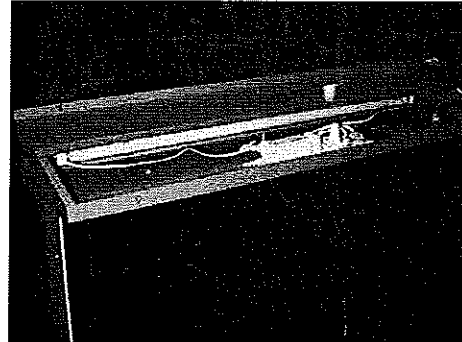
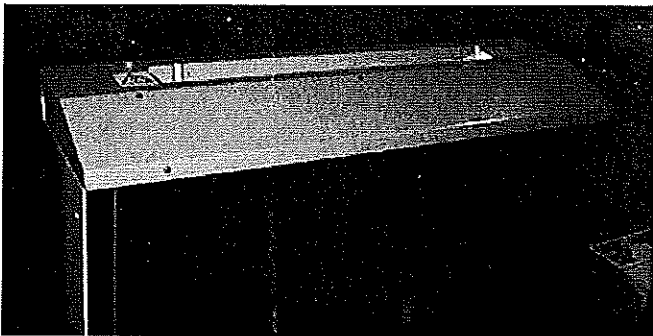
IMPORTANT!

- Never touch places other than those specified. Touching places other than those specified can cause electric shock and short circuit. Disconnect the machine from the supply before attempting the replacement of any lamp.

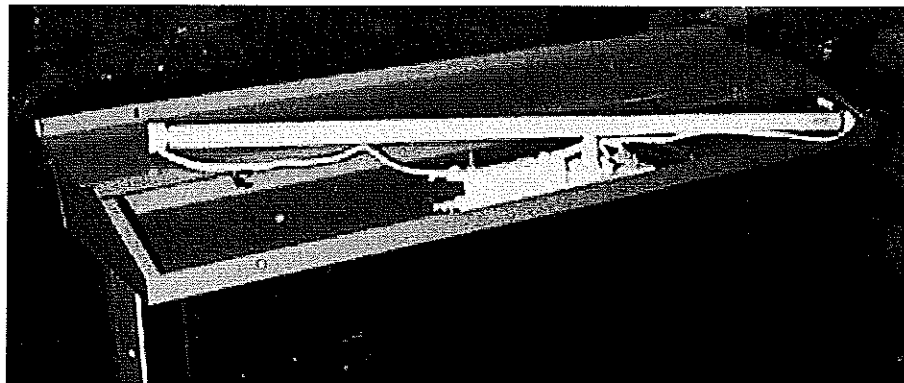
- Only QUALIFIED SERVICE PERSONNEL should replace lamps.

3.9.1. FLUORESCENT LAMP REPLACEMENT

1. Isolate the machine from the power supply.
2. Undo screws from the FLUORESCENT LAMP cover and remove.



3. Disconnect the two lamp end caps and carefully remove the lamp by gently pulling each end from the retaining clips.



Replacement is reverse order of removal.

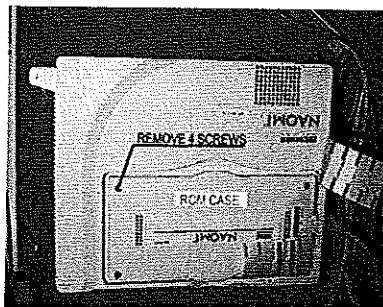
3.11.2.FITTING NEW ROM CASE



WARNING!

- Static electricity discharges can damage electronic parts on the IC Board. Take proper anti-static precautions before opening the ROM Case and starting work. Be sure to touch grounded metallic surfaces to discharge any static electricity.
- Turn off the mains power at the machine, but leave the IEC lead plugged into the IEC inlet as an anti-static precaution.

1. Remove the four screws retaining the ROM Case.
2. Carefully withdraw the ROM Case by pulling on the tabs on each side.
3. Insert the replacement ROM Case, ensuring that it is fully pushed down into the connectors.
4. Replace the screws.



3.11.3.GD ROM Unit



WARNING!

- Static electricity discharges can damage electronic parts on the IC Board. Take proper anti-static precautions before opening the ROM Case and starting work. Be sure to touch grounded metallic surfaces to discharge any static electricity.
- Turn off the mains power at the machine, but leave the IEC lead plugged into the IEC inlet as an anti-static precaution.

Some units may be fitted with the Sega GD-ROM system.

Introduction

Some units may be fitted with the Sega GD ROM system. For full details of GD disk care & other issues, please refer to the GD Manual supplied with the product (420-6620UK). Briefly, the instructions for changing the GD disk are as follows:

1. Make sure that the power has been disconnected from the machine.
2. Remove the M3 screw
3. Turn anticlockwise through approx 45° and remove.
4. Remove the disk.
5. Replacement is the reverse of the removal.

IMAGE NOT AVAILABLE
Development to supply

Take care not to damage the GD disk by holding it only at the edges.

3.11. GAME BOARD REMOVAL / FITTING NEW ROM CASE



CAUTION!



- Turn off the mains power at the machine, but leave the IEC lead plugged into the IEC inlet as an anti-static precaution.

- The GAME BOARD should not require any work to be carried out upon it. All settings and tests can be achieved without access to the GAME BOARD.
- All work to be carried out by QUALIFIED SERVICE PERSONNEL

The following describes how to gain access to, and remove, the GAME BOARD. The GAME BOARD should only need to be removed if it is faulty, and to be returned for service. Fitting a new ROM Case does not require that the GAME BOARD be removed – this can be done with the GAME BOARD installed. Refer to following page before removing ROM Case.

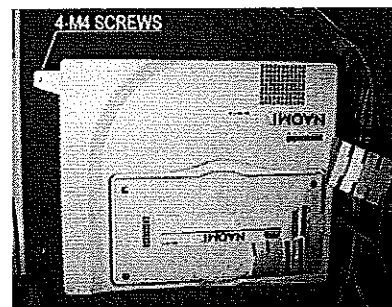
3.11.1. GAME BOARD REMOVAL

1. Ensure that the machine has been isolated from the power supply. Open the rear service door by removing the two M4 retaining screws and unlocking, ensuring that the earth harness is not damaged when the door is removed.
2. Disconnect the GAME BOARD connections shown.



3. Remove the four M4 screws shown, while supporting the GAME BOARD. The GAME BOARD can now be removed from the cabinet.
4. Follow this procedure in reverse to fit the GAME BOARD.

NB: Be sure to refit the black ground harness NOB-60203UK to the lower left-hand board fixing, as the omission of this mat lead to unsatisfactory game performance to EN standards.



3.12. DEGAUSSING THE MONITOR



WARNING!

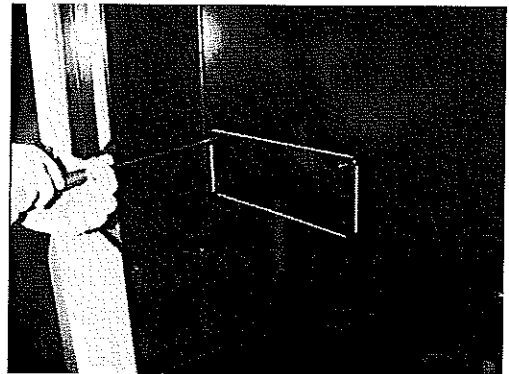
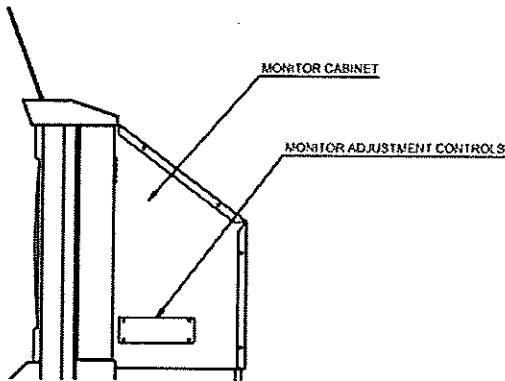
- Never touch places other than those specified. Touching places other than those specified can cause electric shock and short circuit.



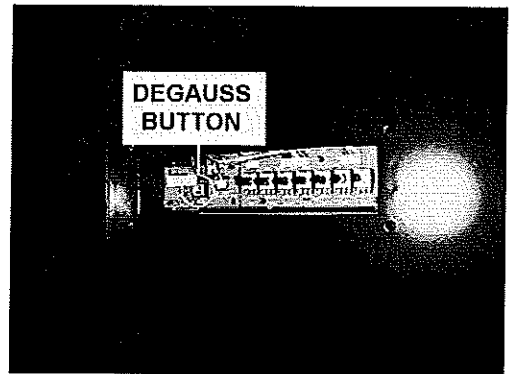
IMPORTANT!

- Only QUALIFIED SERVICE PERSONNEL should carry out this procedure.

1. Undo 4 x screws and remove remote board panel as shown.



2. Locate degaussing button (as indicated) and depress for 3 to 4 seconds before releasing.



3. Replace panel and secure once in place more with 4 x screws.

3.13. PERIODIC CHECK AND INSPECTION

The items listed below require periodic check and maintenance to retain the performance of the machine and ensure safe operation:



WARNING!

- Be sure to check annually to see if the power cords are damaged, the plug is securely inserted and that there is no dust in the interior of the machine or between the socket and the power cord. Using the product in an unclean condition may cause a fire or electric shock.



IMPORTANT!

- Only QUALIFIED SERVICE PERSONNEL should carry out this procedure

DESCRIPTION	WHAT TO CHECK	INTERVAL
CABINET (SEAT AND CONTROL) and MONITOR	Check Adjusters' contact with surface	Daily
MONITOR SCREEN	Cleaning of face with dry, lint-free cloth Check settings (refer to MONITOR manual)	Weekly Monthly
GAME BD	Setting check	Monthly
CONTROL PANEL	Input test	Monthly
SPEAKERS	Sound test, check volume adjustment	Monthly
COIN SELECTOR	Coin insertion test Cleaning	Monthly Tri-Monthly
POWER SUPPLY CORD	Check condition	Annually
INTERIOR	Clean (Do Not use water jet)	Annually
CABINET SURFACE	Clean (Do Not use water jet)	As required

3.13.1.CLEANING THE CABINET SURFACES

When the cabinet surfaces are badly soiled, remove stains with a soft cloth dipped in water or chemical detergent (diluted with water) and squeezed dry - **DO NOT USE A WATER JET**. To avoid damaging surface finish, do not use such solvents as thinner, benzene, etc. (other than ethyl alcohol), abrasives or bleaching agents.

4. MAINTENANCE INSTRUCTIONS

4.1. EXPLANATION OF TEST AND DATA DISPLAY

Use the switches on the VTS to enter the TEST MODE. This will allow you to carry out post installation and periodic checks and adjustments. The following section details the function of each of the tests:



IMPORTANT!

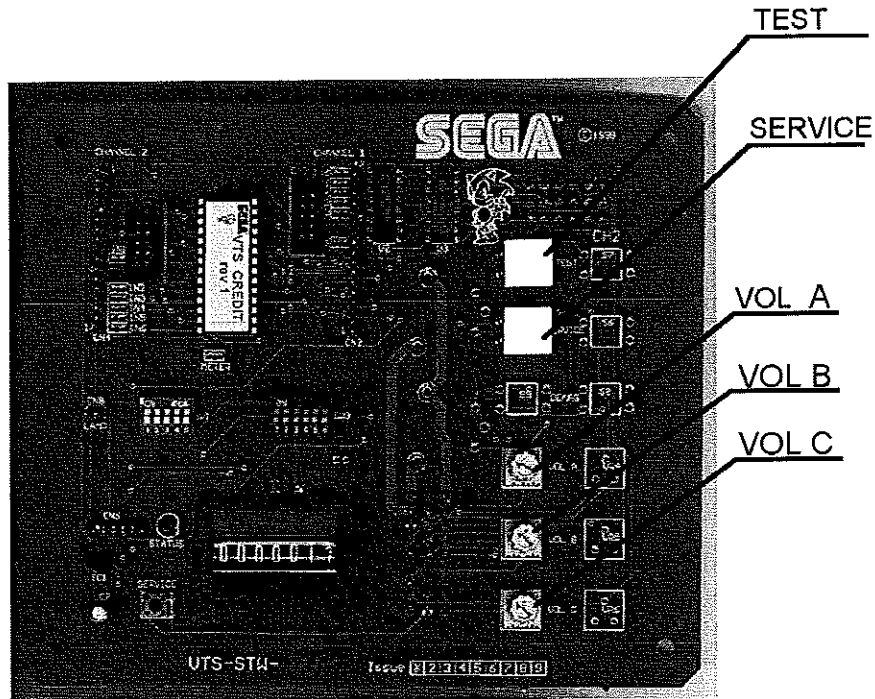
- Be very careful about entering TEST MODE. If the machine you wish to test is linked to other machines, exiting test on your machine will cause a network check to be carried out. This will disable all other machines linked to it.

ITEM	DESCRIPTION	INTERVAL	REFS.
INSTALLATION OF THE MACHINE	<p>When the machine is installed perform the following checks:</p> <ul style="list-style-type: none"> • Check to see that each setting is as per the standard settings input at the time of shipment. • In the INPUT TEST mode, check each switch and VR. • In the OUTPUT TEST mode, check each of the lamps. • In the MEMORY TEST mode check all of the IC's on the IC BD. 	Monthly	See relevant game manual supplied
MEMORY	<ul style="list-style-type: none"> • On the TEST MENU screen choosing the MEMORY TEST allows self test to be performed. In this test RAM & ROM are tested. 	Monthly	See relevant game manual supplied
PERIODIC CHECKS	<p>Periodically perform the following</p> <ul style="list-style-type: none"> • MEMORY TEST. • Ascertain each setting. • In the INPUT TEST mode, test the control devices. • In the OUTPUT TEST mode, check each of the lamps. 	Monthly	See relevant game manual supplied
CONTROL SYSTEM	<ul style="list-style-type: none"> • In the INPUT TEST mode, check each switch and VR. • Adjust or replace each switch and VR. 	Monthly	See relevant game manual supplied
MONITOR CABINET	<ul style="list-style-type: none"> • See manual supplied with MONITOR CABINET for maintenance instructions. 		
IC BOARD	<p>MEMORY TEST</p> <ul style="list-style-type: none"> • In the SOUND TEST mode, check the sound related ROMs 	Monthly	See relevant game manual supplied
DATA CHECK	<ul style="list-style-type: none"> • Check such data as held in the bookkeeping screens, relating to number and length of plays 	Monthly	See relevant game manual supplied
EXTERIOR MAINTENANCE	<ul style="list-style-type: none"> • Clean surfaces 	Monthly	
COIN MECHANISM	<ul style="list-style-type: none"> • Check switch operation (if fitted) 	Monthly	

4.1.1. VTS ASSEMBLY



- Do not touch places other than those specified. Touching places not specified could cause an electric shock or short circuit.



Opening the Coin Chute door will reveal the VTS Assembly shown above. The function of each switch is as follows.

TEST BUTTON
(TEST SW)

Used to enter TEST mode. Also has function during TEST mode. Refer to the relevant software manual for information about the TEST mode.

SERVICE BUTTON
(SERVICE SW)

Gives credits without registering on the coin counter. Also used during TEST mode.

VOL A

Adjusts the volume of the front (billboard) speakers.

VOL B

Adjusts the volume of the under-seat woofers.

VOL C

Spare.

DEMAG NOT FITTED: Naomi 38" uses a monitor that automatically degausses on Switch -on.

Eliminates colour unevenness from the monitor screen.

For instructions to degauss the monitor manually refer to SECTION 3.12



IMPORTANT!

- Only QUALIFIED SERVICE PERSONNEL should carry out these procedures.

The control panel switches can also be used in the place of the VTS switches:

4.1.2. TEST MODE

The TEST MODE allows the functioning of each part of the machine to be checked. In addition game configuration and coin configuration changes can be made within TEST MODE.



- When setting changes made within TEST MODE, be sure to exit from TEST MODE using the exit options. If you turn the power off and then on without having exited correctly the changes you made will not take effect.

For information on using the TEST MODE and coin/credit settings, refer to the RELEVANT GAME MANUAL.

5. COIN MECH INSTALLATION AND CREDIT BOARD SET UP

INTRODUCTION

Game credits between the Coin Mechanism and the game board for this machine are controlled by a VTS board. This electronic circuit allows the price of play to be set for a range of different countries. These functions are set on Dual In Line (DIL) PCB mounted switches.

SW1 is used to set the currency (or coin ratio) and SW3 the price of play. Refer to the Tables on the following pages for the correct settings for your environment.

The VTS board pictured below is mounted in the Coin Chute Tower.

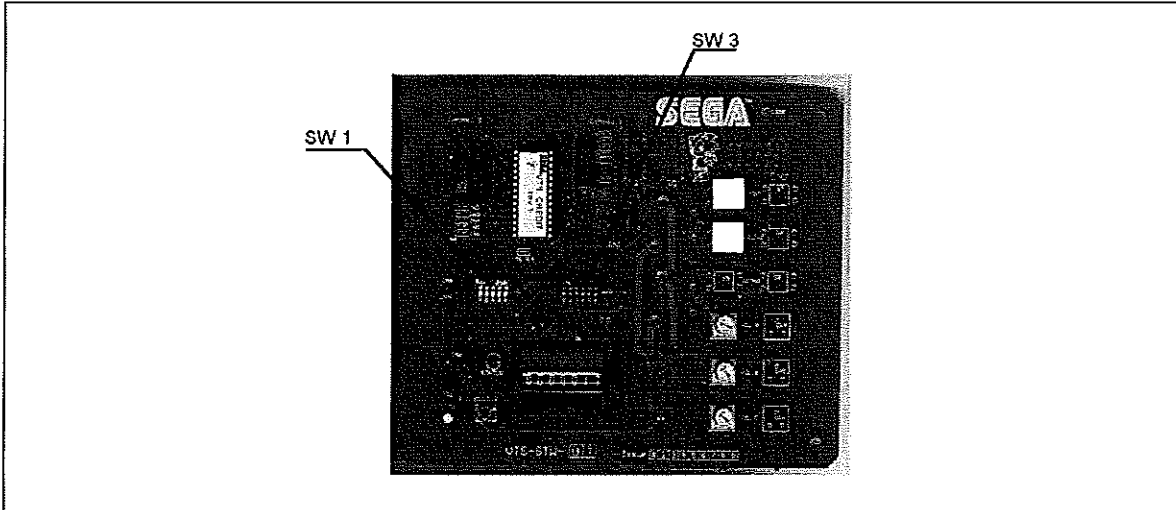
The VTS board is connected to the coin validator and lamps via a dedicated wiring harness depending upon the coin validator used:

Wiring Harness	Validator	
LM1006	Coin Controls C220	(15 way connector)
LM1007	Mars	(13 way connector)
LM1008	Mechanical	See note 2
N/A	NRI	See note 1

Notes

1. If NRI mechanisms are to be used, these should be ordered with the highest denomination coin on coin path #1 and the lowest denomination on coin path #4. The VTS board should be then be set up for either the UK or Switzerland settings. A minimum connecting lead length of 600mm is required.
2. Mechanical coin mechanisms may be connected in parallel allowing two identical mechanisms to be fitted.

The VTS Board



Credit Board Mode Settings Switch 3																			
Country	Setting	Switch 3 Setting						Coin Validator Programming											
		SW1	SW2	SW3	SW4	SW5	SW6	COIN1	COIN2	COIN3	COIN4	COIN5	COIN6	COIN7	COIN8	COIN9	COIN10	COIN11	COIN12
UK	Coin Controls C220 Parallel	OFF	OFF	OFF	OFF			£1	50p new	20p	10p	-	50p old	-	-	-	-	-	-
UK	Coin Controls C220 Binary	ON	OFF	OFF	OFF			£1	50p new	20p	10p	-	50p old	-	£2	-	-	-	-
UK	Coin Controls C220 Binary	OFF	ON	OFF	OFF			£1	50p new	20p	10p	-	£2	50p old	50p old	-	-	-	-
UK	Coin Controls SR3 Parallel	ON	ON	OFF	OFF			£1	50p new	20p	10p	-	£2	50p old	50p old	-	-	-	-
UK	Coin Controls SR3 Parallel	OFF	OFF	ON	OFF			£2	£1	50p new	20p	10p	-	-	-	50p old	-	-	-
Euro	Coin Controls SR3 Parallel	OFF	OFF	ON	OFF			€2	€1	50¢	20¢	10¢	-	-	-	-	-	-	-
UK	Mars ME/MS 111 Parallel	ON	OFF	ON	OFF			£1	£2	20p	10p	50p new	50p old	-	-	-	-	-	-
UK	NRI Parallel	OFF	ON	ON	OFF			10p	20p	50p	£1	£2	-	-	-	-	-	-	-
Belgium	Parallel	ON	ON	ON	OFF			-	50Bfr	20Bfr	5Bfr	-	-	-	-	-	-	-	-
Holland	Parallel	OFF	OFF	OFF	ON			-	5NLG	2.5NLG	1NLG	-	-	-	-	-	-	-	-
Austria	SR3 Parallel	ON	OFF	OFF	ON			20Sch	10Sch	5Sch	1Sch	-	-	-	-	-	-	-	-
Spain	Coin Controls C220 Binary	OFF	ON	OFF	ON			500Pta	200Pta	100Pta	50Pta	25Pta	200Pt old	50Pta old	25Pta old	-	-	-	-
Spain	SR3/NRI Parallel	ON	ON	OFF	ON			500Pta	200Pta	100Pta	50Pta	25Pta	-	-	200Pta	50Pta old	25Pta old	-	-
Spain	Coin Controls C220 Parallel	OFF	OFF	ON	ON			100Pta	50Pta new	-	25Pta new	-	50Pta old	25Pta old	-	-	-	-	-
Portugal Euro	Parallel	ON	OFF	ON	ON			200Es	100Es	50Es	-	-	-	-	-	-	-	-	-
	TBA				OFF		TBA												
	Channels				ON		TBA												
					OFF		Direct Mode												
					ON		2 channel Mode												

Please Note
The credit board automatically sets the validator for parallel and binary operation through an output on pin 8 of the 17 way pinstrip. For the feature to work it is necessary for the validator interconnecting cable to include at wire at this position

Note: These switch settings are under constant review and may change due to world currency updates.

- Set SW 1 according to the option settings found in the relevant Price of Play Settings Table on the following pages.
- For Germany (DM), France (Fr) & Switzerland (SFr), use the appropriate existing setting shown above (from another country) that matches the coin ratios programmed into your coin mech.
- Set SW 3 on the VTS /Excel board as shown in the table above corresponding to the country required.

Credit Board Mode Settings Switch 3																			
Country	Setting	Switch 3 Setting					Coin Validator Programming												
		SW1	SW2	SW3	SW4	SW5	SW6	COIN1	COIN2	COIN3	COIN4	COIN5	COIN6	COIN7	COIN8	COIN9	COIN10	COIN11	COIN12
UK	Coin Controls C220 Parallel	OFF	OFF	OFF	OFF		£1	50p new	20p	10p	-	50p old	-	-	-	-	-	-	-
UK	Coin Controls C220 Binary	ON	OFF	OFF	OFF		£1	50p new	20p	10p	-	50p old	-	£2	-	-	-	-	-
UK	Coin Controls C220 Binary	OFF	ON	OFF	OFF		£1	50p new	20p	10p	-	£2	-	50p old	-	-	-	-	-
UK	Coin Controls SR3 Parallel	ON	ON	OFF	OFF		£1	50p new	20p	10p	-	£2	-	50p old	-	-	-	-	-
UK	Coin Controls SR3 Parallel	OFF	OFF	ON	OFF		£2	£1	50p new	20p	10p	-	-	-	-	-	-	-	-
Euro	Coin Controls SR3 Parallel	OFF	OFF	ON	OFF		€2	€1	50¢	20¢	10¢	-	-	-	-	-	-	-	-
UK	Mars ME/MS 111 Parallel	ON	OFF	ON	OFF		£1	£2	20p	10p	50p new	50p old	-	-	-	-	-	-	-
UK	NRI Parallel	OFF	ON	ON	OFF		10p	20p	50p	£1	£2	-	-	-	-	-	-	-	-
Belgium	Parallel	ON	ON	ON	OFF		-	50BfT	20BfT	5BfT	-	-	-	-	-	-	-	-	-
Holland	Parallel	OFF	OFF	OFF	ON		-	5NLG	2.5NLG	1NLG	-	-	-	-	-	-	-	-	-
Austria	SR3 Parallel	ON	OFF	OFF	ON		20Sch	10Sch	5Sch	1Sch	-	-	-	-	-	-	-	-	-
Spain	Coin Controls C220 Binary	OFF	ON	OFF	ON		500Pta	200Pta	100Pta	50Pta	25Pta	200Pt old	50Pta old	25Pta old	-	-	-	-	-
Spain	SR3/NRI Parallel	ON	ON	OFF	ON		500Pta	200Pta	100Pta	50Pta	25Pta	-	-	200Pta	-	50Pta old	25Pta old	-	-
Spain	Coin Controls C220 Parallel	OFF	OFF	ON	ON		100Pta	50Pta new	-	25Pta new	-	50Pta old	-	25Pta old	-	-	-	-	-
Portugal Euro	Parallel	ON	OFF	ON	ON		200Es	100Es	50Es	-	-	-	-	-	-	-	-	-	-
	TBA				OFF		TBA												
	Channels				ON		TBA												
					OFF		Direct Mode												
					ON		2 channel Mode												

Please Note
The credit board automatically sets the validator for parallel and binary operation through an output on pin 8 of the 17 way pinstrip. For the feature to work it is necessary for the validator interconnecting cable to include at wire at this position

Note: These switch settings are under constant review and may change due to world currency updates.

- Set SW 1 according to the option settings found in the relevant Price of Play Settings Table on the following pages.
- For Germany (DM), France (Fr) & Switzerland (SF), use the appropriate existing setting shown above (from another country) that matches the coin ratios programmed into your coin mech.
- Set SW 3 on the VTS/Excel board as shown in the table above corresponding to the country required.

5.1.2. PRICE OF PLAY SETTINGS EURO

	Price	Bonus			DIL Switch 1				
					Switch 1	Switch 2	Switch 3	Switch 4	Switch 5
1	10¢	No Bonus			OFF	OFF	OFF	OFF	OFF
2	10¢	6 = 50¢			ON	OFF	OFF	OFF	OFF
3	20¢	No Bonus			OFF	ON	OFF	OFF	OFF
4	20¢	3 = 50¢	6 = €1	12 = €2	ON	ON	OFF	OFF	OFF
5	30¢	No Bonus			OFF	OFF	ON	OFF	OFF
6	30¢	1.66 = 50¢	4 = €1	8 = €2	ON	OFF	ON	OFF	OFF
7	30¢	2 = 50¢	4 = €1		OFF	ON	ON	OFF	OFF
8	30¢	AMLD *	3 = €1	6 = €2	ON	ON	ON	OFF	OFF
9	40¢	No Bonus			OFF	OFF	OFF	ON	OFF
10	40¢	1.25 = 50¢	3 = €1	6 = €2	ON	OFF	OFF	ON	OFF
11	50¢	No Bonus			OFF	ON	OFF	ON	OFF
12	50¢		3 = €1	6 = €2	ON	ON	OFF	ON	OFF
13	50¢		2 = €1	5 = €2	OFF	OFF	ON	ON	OFF
14	60¢	No Bonus			ON	OFF	ON	ON	OFF
15	60¢		2 = €1	4 = €2	OFF	ON	ON	ON	OFF
16	80¢	No Bonus			ON	ON	ON	ON	OFF
17	80¢	1.25 = £1	2 = €1.50	2.5 = €2	OFF	OFF	OFF	OFF	ON
18	€1	No Bonus			ON	OFF	OFF	OFF	ON
19	€1		3 = €2		OFF	ON	OFF	OFF	ON
20	€1		2 = €2	5 = €4	ON	ON	OFF	OFF	ON
21	€1.50	No Bonus			OFF	OFF	ON	OFF	ON
22	€1.50		2 = €2		ON	OFF	ON	OFF	ON
23	€2	No Bonus			OFF	ON	ON	OFF	ON
24	€2			3 = €5	ON	ON	ON	OFF	ON
25	€3	No Bonus			OFF	OFF	OFF	ON	ON
26	€3			2 = €5	ON	OFF	OFF	ON	ON
27	€5	No Bonus			OFF	ON	OFF	ON	ON
28	€5			3 = €10	ON	ON	OFF	ON	ON
29	€7.50	No Bonus			OFF	OFF	ON	ON	ON
30	€7.50			2 = €10	ON	OFF	ON	ON	ON
31	€10	No Bonus			OFF	ON	ON	ON	ON
32	Free Play				ON	ON	ON	ON	ON

5.1.3. PRICE OF PLAY SETTINGS Austria-Czech-Denmark-Norway-
Israel-France2

	Price	Bonus			Switch 1				
					Switch 1	Switch 2	Switch 3	Switch 4	Switch 5
1	1	No Bonus			OFF	OFF	OFF	OFF	OFF
2	1			11 = 10	ON	OFF	OFF	OFF	OFF
3	1		6 = 5		OFF	ON	OFF	OFF	OFF
4	2	No Bonus			ON	ON	OFF	OFF	OFF
5	2			6 = 10	OFF	OFF	ON	OFF	OFF
6	2		3 = 5		ON	OFF	ON	OFF	OFF
7	3	No Bonus			OFF	ON	ON	OFF	OFF
8	3			4 = 10	ON	ON	ON	OFF	OFF
9	3		2 = 5		OFF	OFF	OFF	ON	OFF
10	4	No Bonus			ON	OFF	OFF	ON	OFF
11	4		3 = 10		OFF	ON	OFF	ON	OFF
12	5	No Bonus			ON	ON	OFF	ON	OFF
13	5			3 = 10	OFF	OFF	ON	ON	OFF
14	6	No Bonus			ON	OFF	ON	ON	OFF
15	6			4 = 20	OFF	ON	ON	ON	OFF
16	8	No Bonus			ON	ON	ON	ON	OFF
17	10	No Bonus			OFF	OFF	OFF	OFF	ON
18	10			3 = 20	ON	OFF	OFF	OFF	ON
19	20	No Bonus			OFF	ON	OFF	OFF	ON
20	20			3 = 50	ON	ON	OFF	OFF	ON
21	30	No Bonus			OFF	OFF	ON	OFF	ON
22	30			2 = 50	ON	OFF	ON	OFF	ON
23	50	No Bonus			OFF	ON	ON	OFF	ON
24	50			3 = 100	ON	ON	ON	OFF	ON
32	Free Play				ON	ON	ON	ON	ON

5.1.4. PRICE OF PLAY SETTINGS - BELGIUM

	Price	Bonus			DIL Switch 1				
					Switch 1	Switch 2	Switch 3	Switch 4	Switch 5
1	5BFr	No Bonus			OFF	OFF	OFF	OFF	OFF
2	5BFr			11 = 50BFr	ON	OFF	OFF	OFF	OFF
3	5BFr		5 = 20BFr		OFF	ON	OFF	OFF	OFF
4	10BFr	No Bonus			ON	ON	OFF	OFF	OFF
5	10BFr			6 = 50BFr	OFF	OFF	ON	OFF	OFF
6	10BFr		3 = 20BFr		ON	OFF	ON	OFF	OFF
7	15BFr	No Bonus			OFF	ON	ON	OFF	OFF
8	15BFr			4 = 50BFr	ON	ON	ON	OFF	OFF
9	15BFr		7 = 100BFr		OFF	OFF	OFF	ON	OFF
10	20BFr	No Bonus			ON	OFF	OFF	ON	OFF
11	20BFr			3 = 50BFr	OFF	ON	OFF	ON	OFF
12	20BFr		3 = 50BFr		ON	ON	OFF	ON	OFF
13	25BFr	No Bonus			OFF	OFF	ON	ON	OFF
14	25BFr			5=100BFr	ON	OFF	ON	ON	OFF
15	25BFr		3 = 50BFr		OFF	ON	ON	ON	OFF
16	30BFr	No Bonus			ON	ON	ON	ON	OFF
17	30BFr			4=100BFr	OFF	OFF	OFF	OFF	ON
18	30BFr		2=50BFr		ON	OFF	OFF	OFF	ON
19	40BFr	No Bonus			OFF	ON	OFF	OFF	ON
20	40BFr			3=100BFr	ON	ON	OFF	OFF	ON
21	50BFr	No Bonus			OFF	OFF	ON	OFF	ON
22	50BFr			3=100BFr	ON	OFF	ON	OFF	ON
23					OFF	ON	ON	OFF	ON
24					ON	ON	ON	OFF	ON
25					OFF	OFF	OFF	ON	ON
26					ON	OFF	OFF	ON	ON
27					OFF	ON	OFF	ON	ON
28					ON	ON	OFF	ON	ON
29					OFF	OFF	ON	ON	ON
30					ON	OFF	ON	ON	ON
31					OFF	ON	ON	ON	ON
32	Free Play				ON	ON	ON	ON	ON

5.1.5. PRICE OF PLAY SETTINGS - FRANCE

	Price	Bonus			DIL Switch 1				
					Switch 1	Switch 2	Switch 3	Switch 4	Switch 5
1	1Fr	No Bonus			OFF	OFF	OFF	OFF	OFF
2	1Fr	6 = 5Fr			ON	OFF	OFF	OFF	OFF
3	2Fr	No Bonus			OFF	ON	OFF	OFF	OFF
4	2Fr	3 = 5Fr	6 = 10Fr	12 = 20Fr	ON	ON	OFF	OFF	OFF
5	3Fr	No Bonus			OFF	OFF	ON	OFF	OFF
6	3Fr	1.66 = 5Fr	4 = 10Fr	8 = 20Fr	ON	OFF	ON	OFF	OFF
7	3Fr	2 = 5Fr	4 = 10Fr		OFF	ON	ON	OFF	OFF
8	3Fr	**	3 = 10Fr	6 = 20Fr	ON	ON	ON	OFF	OFF
9	4Fr	No Bonus			OFF	OFF	OFF	ON	OFF
10	4Fr	1.25 = 5Fr	3 = 10Fr	6 = 20Fr	ON	OFF	OFF	ON	OFF
11	5Fr	No Bonus			OFF	ON	OFF	ON	OFF
12	5Fr		3 = 10Fr	6 = 20Fr	ON	ON	OFF	ON	OFF
13	5Fr		2 = 10Fr	5 = 20Fr	OFF	OFF	ON	ON	OFF
14	6Fr	No Bonus			ON	OFF	ON	ON	OFF
15	6Fr		2 = 10Fr	4 = 20Fr	OFF	ON	ON	ON	OFF
16	8Fr	No Bonus			ON	ON	ON	ON	OFF
17	8Fr	1.25 = 10Fr	2 = 15Fr	2.5 = 20Fr	OFF	OFF	OFF	OFF	ON
18	10Fr	No Bonus			ON	OFF	OFF	OFF	ON
19	10Fr		3 = 20Fr		OFF	ON	OFF	OFF	ON
20	10Fr		2 = 20Fr	5 = 40Fr	ON	ON	OFF	OFF	ON
21	15Fr	No Bonus			OFF	OFF	ON	OFF	ON
22	15Fr		2 = 20Fr		ON	OFF	ON	OFF	ON
23	20Fr	No Bonus			OFF	ON	ON	OFF	ON
24	20Fr			3 = 50Fr	ON	ON	ON	OFF	ON
25	30Fr	No Bonus			OFF	OFF	OFF	ON	ON
26	30Fr			2 = 50Fr	ON	OFF	OFF	ON	ON
27	50Fr	No Bonus			OFF	ON	OFF	ON	ON
28	50Fr			3 = 100Fr	ON	ON	OFF	ON	ON
29	75Fr	No Bonus			OFF	OFF	ON	ON	ON
30	75Fr			2 = 100Fr	ON	OFF	ON	ON	ON
31	100Fr	No Bonus			OFF	ON	ON	ON	ON
32	Free Play				ON	ON	ON	ON	ON

** This is a special setting that gives no credit until a total of 10Fr is input and then gives three games.

5.1.6. PRICE OF PLAY SETTINGS - ITALY

	Price	Bonus			DIL Switch 1				
					Switch 1	Switch 2	Switch 3	Switch 4	Switch 5
1					OFF	OFF	OFF	OFF	OFF
2					ON	OFF	OFF	OFF	OFF
3					OFF	ON	OFF	OFF	OFF
4					ON	ON	OFF	OFF	OFF
5					OFF	OFF	ON	OFF	OFF
6					ON	OFF	ON	OFF	OFF
7					OFF	ON	ON	OFF	OFF
8					ON	ON	ON	OFF	OFF
9					OFF	OFF	OFF	ON	OFF
10	100L	No Bonus			ON	OFF	OFF	ON	OFF
11	100L			6 = 500L	OFF	ON	OFF	ON	OFF
12	100L		3 = 200L		ON	ON	OFF	ON	OFF
13	200L	No Bonus			OFF	OFF	ON	ON	OFF
14	200L			3 = 500L	ON	OFF	ON	ON	OFF
15	200L		3 = 400L		OFF	ON	ON	ON	OFF
16	300L	No Bonus			ON	ON	ON	ON	OFF
17	300L			2 = 500L	OFF	OFF	OFF	OFF	ON
18	300L		3 = 600L		ON	OFF	OFF	OFF	ON
19	400L	No Bonus			OFF	ON	OFF	OFF	ON
20	400L			3 = 1000L	ON	ON	OFF	OFF	ON
21	400L		3 = 800L		OFF	OFF	ON	OFF	ON
22	500L	No Bonus			ON	OFF	ON	OFF	ON
23	500L		3 = 1000L		OFF	ON	ON	OFF	ON
24	500L			5 = 2000L	ON	ON	ON	OFF	ON
25	600L	No Bonus			OFF	OFF	OFF	ON	ON
26	600L		3 = 1200L		ON	OFF	OFF	ON	ON
27	600L			4 = 2000L	OFF	ON	OFF	ON	ON
28	800L	No Bonus			ON	ON	OFF	ON	ON
29	800L		2 = 1000L		OFF	OFF	ON	ON	ON
30	1000L	No Bonus			ON	OFF	ON	ON	ON
31	1000L		2 = 1500L		OFF	ON	ON	ON	ON
32	Free Play				ON	ON	ON	ON	ON

5.1.7. PRICE OF PLAY SETTINGS - PORTUGAL

	Price	Bonus			DIL Switch 1				
					Switch 1	Switch 2	Switch 3	Switch 4	Switch 5
1	50Esc	No Bonus			OFF	OFF	OFF	OFF	OFF
2	50Esc			5 = 200Esc	ON	OFF	OFF	OFF	OFF
3	50Esc		3=100Esc		OFF	ON	OFF	OFF	OFF
4	100Esc	No Bonus			ON	ON	OFF	OFF	OFF
5	100Esc			5 = 400Esc	OFF	OFF	ON	OFF	OFF
6	100Esc		3 = 200Esc		ON	OFF	ON	OFF	OFF
7	150Esc	No Bonus			OFF	ON	ON	OFF	OFF
8	150Esc			3 = 400Esc	ON	ON	ON	OFF	OFF
9	200Esc	No Bonus			OFF	OFF	OFF	ON	OFF
10	200Esc			6 = 1000Esc	ON	OFF	OFF	ON	OFF
11	200Esc		4 = 600Esc		OFF	ON	OFF	ON	OFF
12	250 Esc	No Bonus			ON	ON	OFF	ON	OFF
13	250 Esc		3 = 500Esc		OFF	OFF	ON	ON	OFF
14	300 Esc	No Bonus			ON	OFF	ON	ON	OFF
15	300 Esc			4 = 1000Esc	OFF	ON	ON	ON	OFF
16	400 Esc	No Bonus			ON	ON	ON	ON	OFF
17	400 Esc			3 = 1000Esc	OFF	OFF	OFF	OFF	ON
32	Free Play				ON	ON	ON	ON	ON

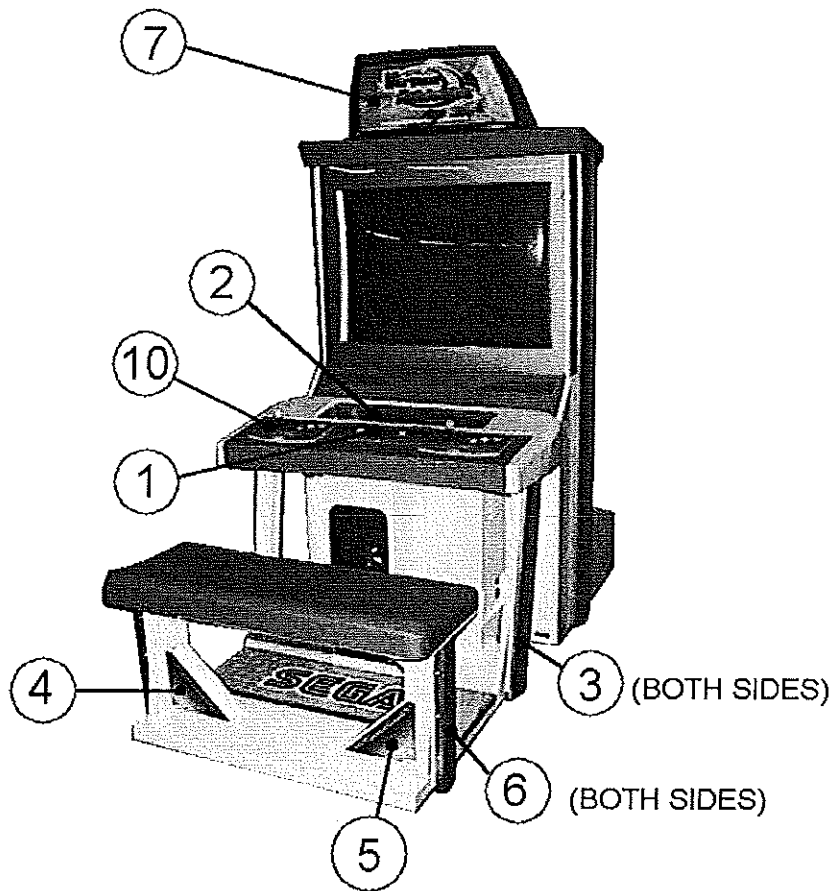
5.1.8. PRICE OF PLAY SETTINGS - NETHERLANDS

	Price	Bonus			DIL Switch 1				
					Switch 1	Switch 2	Switch 3	Switch 4	Switch 5
1	1G	No Bonus			OFF	OFF	OFF	OFF	OFF
2	1G		2.5NLG = 2		ON	OFF	OFF	OFF	OFF
3	2G	No Bonus			OFF	ON	OFF	OFF	OFF
4	2G		5NLG = 3		ON	ON	OFF	OFF	OFF
5	3G	No Bonus			OFF	OFF	ON	OFF	OFF
6	3G		5NLG = 2		ON	OFF	ON	OFF	OFF
7	4G	No Bonus			OFF	ON	ON	OFF	OFF
8	4G		10NLG = 3		ON	ON	ON	OFF	OFF
9	5G	No Bonus			OFF	OFF	OFF	ON	OFF
10	5G		10NLG = 3		ON	OFF	OFF	ON	OFF
11	6G	No Bonus			OFF	ON	OFF	ON	OFF
12	6G		15NLG = 3		ON	ON	OFF	ON	OFF
13	8G	No Bonus			OFF	OFF	ON	ON	OFF
14	8G		20NLG = 3		ON	OFF	ON	ON	OFF
15	10G	No Bonus			OFF	ON	ON	ON	OFF
16	10G		20NLG = 3		ON	ON	ON	ON	OFF
17	15G		30NLG = 3		OFF	OFF	OFF	OFF	ON
18	15G	No Bonus			ON	OFF	OFF	OFF	ON
19	20G	No Bonus			OFF	ON	OFF	OFF	ON
32	Free Play				ON	ON	ON	ON	ON

5.1.9. PRICE OF PLAY SETTINGS - SPAIN

	Price	Bonus			DIL Switch 1				
					Switch 1	Switch 2	Switch 3	Switch 4	Switch 5
1	25Pta	No Bonus			OFF	OFF	OFF	OFF	OFF
2	25Pta			5=100Pta	ON	OFF	OFF	OFF	OFF
3	25Pta		3=50Pta		OFF	ON	OFF	OFF	OFF
4	50Pta	No Bonus			ON	ON	OFF	OFF	OFF
5	50Pta			3=100Pta	OFF	OFF	ON	OFF	OFF
6	50Pta		4=150Pta		ON	OFF	ON	OFF	OFF
7	75Pta	No Bonus			OFF	ON	ON	OFF	OFF
8	75Pta			3=200Pta	ON	ON	ON	OFF	OFF
9	75Pta		3=200Pta		OFF	OFF	OFF	ON	OFF
10	100Pta	No Bonus			ON	OFF	OFF	ON	OFF
11	100Pta			4=300Pta	OFF	ON	OFF	ON	OFF
12	100Pta		3=200Pta		ON	ON	OFF	ON	OFF
13	200Pta	No Bonus			OFF	OFF	ON	ON	OFF
14	200Pta			3=500Pta	ON	OFF	ON	ON	OFF
15	200Pta		3=400Pta		OFF	ON	ON	ON	OFF
16	300Pta	No Bonus			ON	ON	ON	ON	OFF
17	300Pta			2=500Pta	OFF	OFF	OFF	OFF	ON
18	300Pta		3=600Pta		ON	OFF	OFF	OFF	ON
19	400Pta	No Bonus			OFF	ON	OFF	OFF	ON
20	400Pta			3=1000Pta	ON	ON	OFF	OFF	ON
21	400Pta		3=800Pta		OFF	OFF	ON	OFF	ON
22	500Pta	No Bonus			ON	OFF	ON	OFF	ON
23	500Pta			3=1000Pta	OFF	ON	ON	OFF	ON
24	500Pta		2=800Pta		ON	ON	ON	OFF	ON
25	600Pta	No Bonus			OFF	OFF	OFF	ON	ON
26	600Pta			3=1200Pta	ON	OFF	OFF	ON	ON
27	600Pta		2=1000Pta		OFF	ON	OFF	ON	ON
28	800Pta	No Bonus			ON	ON	OFF	ON	ON
29	800Pta			2=1000Pta	OFF	OFF	ON	ON	ON
30	1000Pta	No Bonus			ON	OFF	ON	ON	ON
31	1000Pta			2=1500Pta	OFF	ON	ON	ON	ON
32	Free Play				ON	ON	ON	ON	ON

6. DESIGN RELATED PARTS

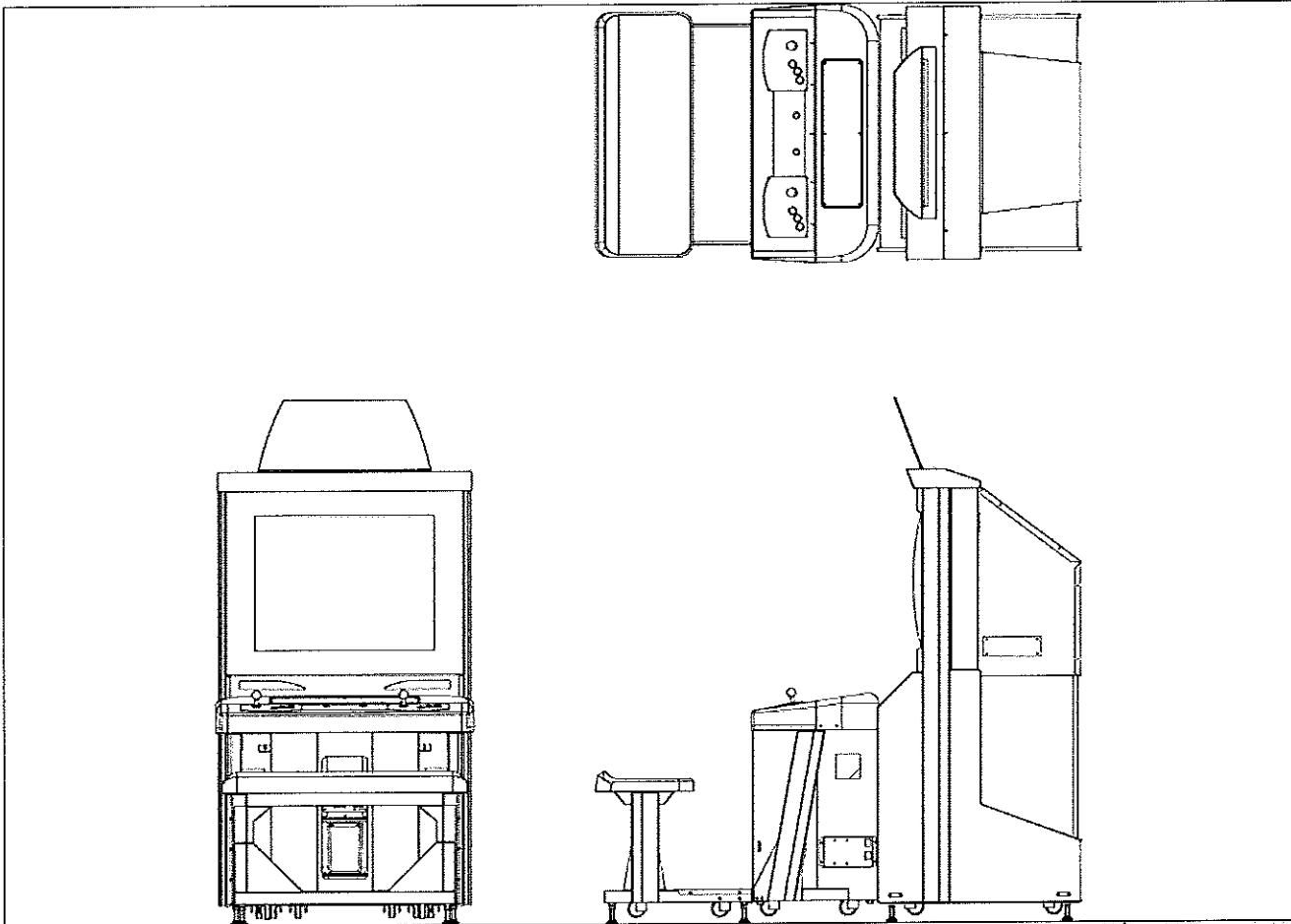


No.	Part No.	Description	Component Ref	Qty
1	NOK-1305UK	STICKER START		1
2	NOK-1306UK	STICKER INSTRUCTION BASE		1
3	NOK-1012UK	STICKER CABI SIDE COVER		2
4	NOK-2014UK	STICKER SEAT LOWER L		1
5	NOK-2015UK	STICKER SEAT LOWER R		1
6	NOK-2016UK	STICKER SEAT SIDE COVER		2
7	NOA-1302UK	BILLBOARD SHEET		1
10	NOK-1312UK	PANEL STICKER 1L3B		2

7. PARTS LIST

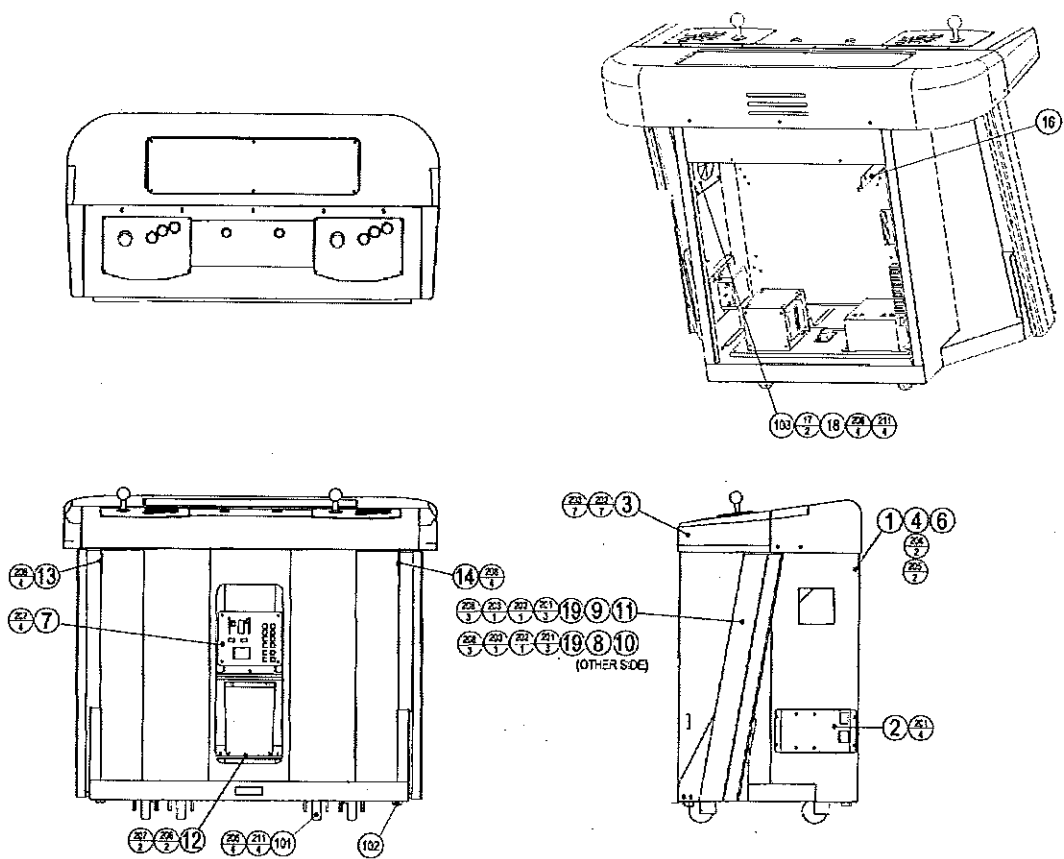
7.1. NOT-0000*UK TOP ASSY NAOMI 38 (GAME SPECIFIC)

Though the exact part numbers may differ, the main items remain constant.



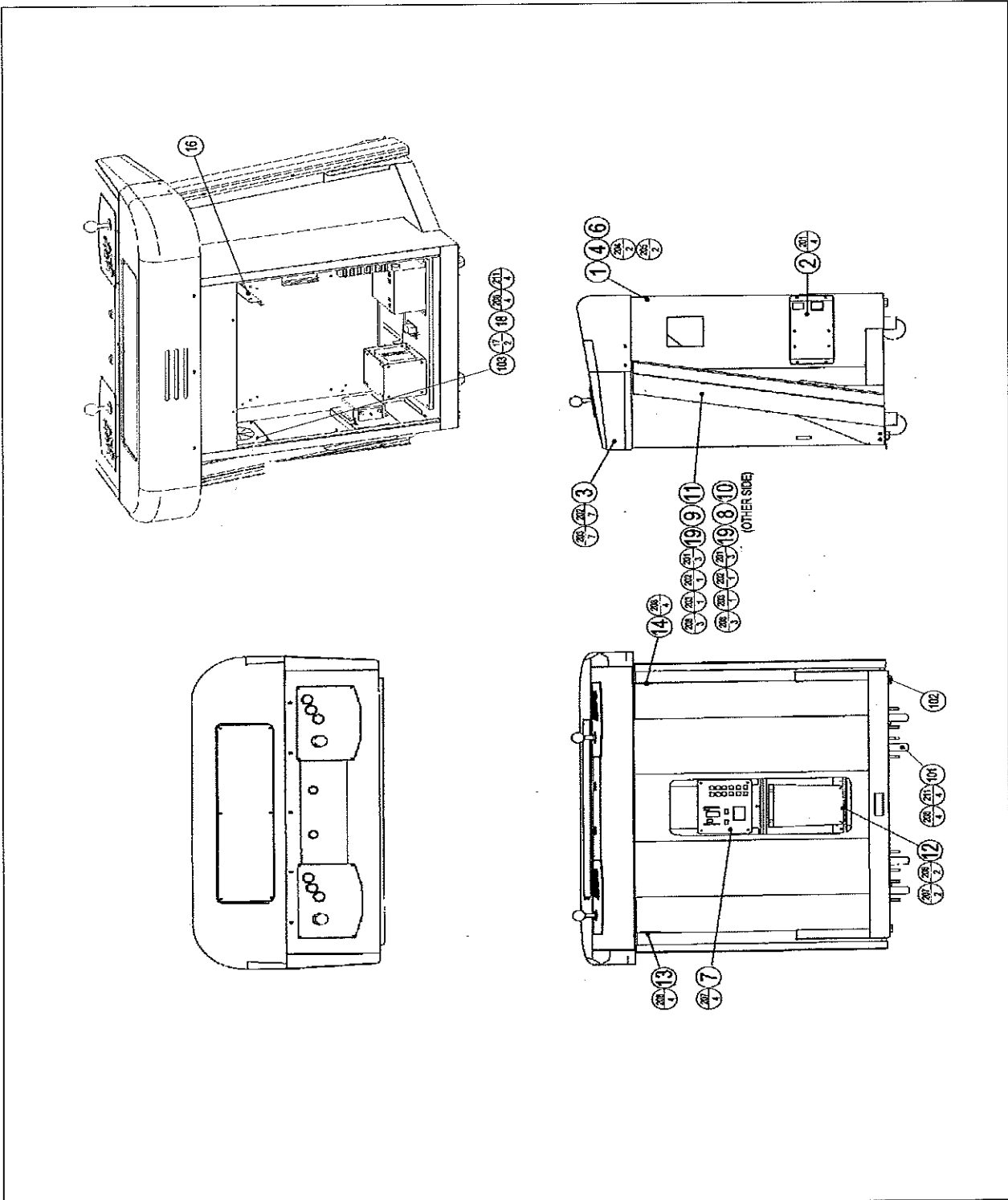
Item No.	Part Number	Description	Component Ref.	Qty
1	NOT-0000UK	ASSY COMMON CABI NAOMI 38		1
2	NOK-1310UK	ASSY PANEL 1L3B 1P	GAME SPECIFIC	1
3	NOK-1320UK	ASSY PANEL 1L3B 2P	GAME SPECIFIC	1
4	NOT-INST-***	INST KIT NAOMI 38	GAME SPECIFIC	1
5	NOK-15**UK	ASSY MAIN BD W/O BD	GAME SPECIFIC	1
7	NOK-1010UK	MAIN BD BRKT		1
101	LB1046	LABEL TESTED FOR ELEC. SAFETY		1
102	LB1102	STICKER DANGEROUS VOLTAGE		1
103	LB1103	STICKER CAUTION		1
201	031-000414-0C	M4X14 CRG BLT CRM		8
202	050-F00400	M4 NUT FLG SER PAS		16
203	008-T00416-0C	M4X16 TMP PRF TH CRM		5
204	068-552016-0C	M5 WSHR 200D FLT CRM		5

7.2. NOT-0000UK TOP ASSY



Indent #	Part No.	Description	Component Ref	Qty /assy
1	NOK-1000UK	ASSY CONTROL CABINET		1
2	NOK-2000UK	ASSY SEAT CABINET		1
3	NOK-3000UK	ASSY MONITOR CABINET		1
4	NOK-4000UK	ASSY BILLBOARD		1
5	NOK-1303UK	CONTROL PANEL COVER		1
7	421-7988-91UK	STICKER SERIAL NUMBER UK		4
9	NOK-1307UK	INSTRUCTION COVER PLATE		1
10	PK0229	PALLET NOK F CABI	(PACKING ITEMS NOT SHOWN)	1
11	PK0230	SLEEVE NOK F CABI	(PACKING ITEMS NOT SHOWN)	1
12	PK0231	PALLET NOK R CABI	(PACKING ITEMS NOT SHOWN)	1
13	PK0232	SLEEVE NOK R CABI	(PACKING ITEMS NOT SHOWN)	1
14	PK0233	PALLET MONITOR CABINET NOK	(PACKING ITEMS NOT SHOWN)	1
15	PK0234	SLEEVE MONITOR CABINET NOK	(PACKING ITEMS NOT SHOWN)	1
14	PK0303	PALLET NOT MONITOR CABI		1
15	PK0304	SLEEVE NOT MONITOR CABI		1
16	NOK-1306UK	STICKER INSTR BASE		1
17	PP1087	BOX CASH FOR MINI DOOR		1
18	SGM-3791	POLTHN COVER 900X1100X100		1
19	SGM-4162	POLTHN COVER 700X1100X600		1
20	SGM-4040	POLY COVER 950X1350X1800		1
201	008-T00416-0C	M4X16 TMP PRF TH CRM		6
203	000-T00412-0C	M4X12 MSCR TH CRM		7
204	068-441616-0C	M4 WSHR 16OD FLT CRM		7

7.3. NOK-1000UK ASSY CONTROL CABINET

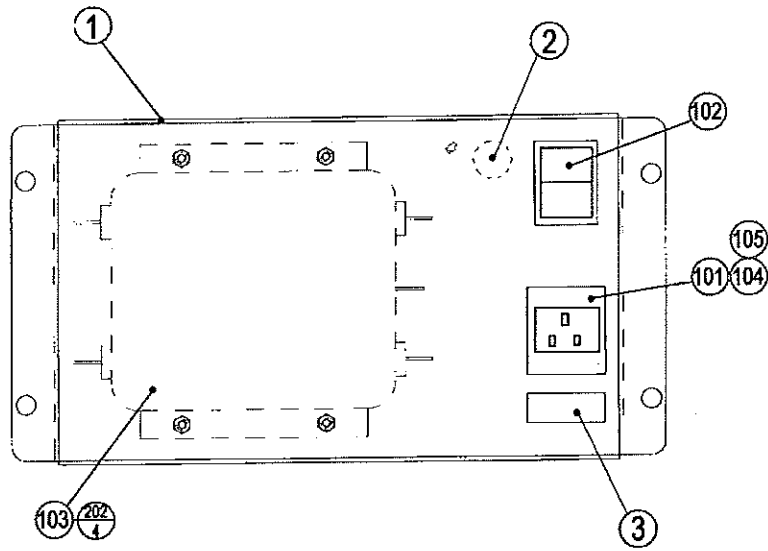


PARTS LIST CONTINUES ON NEXT PAGE

CONTINUED FROM PREVIOUS PAGE

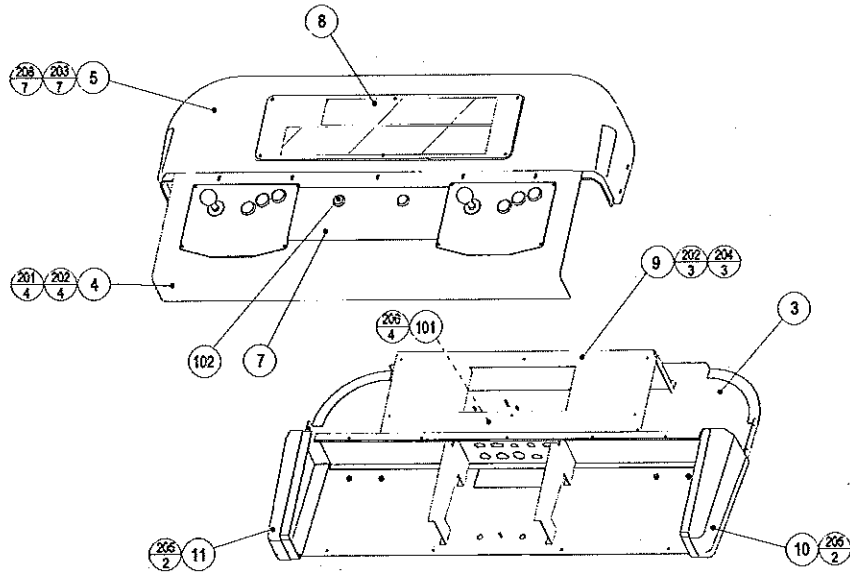
Ident #	Part No.	Description	Component Ref	Qty /assy
1	NOK-1001UK	CONTROL CABI		1
2	NOK-1200UK	ASSY AC UNIT		1
3	NOK-1300UK	ASSY CONTROL PANEL		1
4	NOK-1400UK	ASSY ELEC		1
6	NOK-1600UK	ASSY AUDIO		1
7	VTS-HOD-D	VTS BOARD HOD		1
8	NOK-1002UK	SIDE FRAME LEFT		1
9	NOK-1003UK	SIDE FRAME RIGHT		1
10	NOK-1004UK	SIDE COVER L		1
11	NOK-1005UK	SIDE COVER R		1
12	NOK-1006UK	CASH BOX FLOOR		1
13	NOK-1007UK	SIDE SUPPORT BRKT L		1
14	NOK-1008UK	SIDE SUPPORT BRKT R		1
16	NOK-1011UK	AUDIO BD BRKT	(6)-1	1
17	105-5238-91	FAN BRKT	(103)-2	2
18	FN1012	MESH GUARD METAL 120mm F	(103)-1	1
19	NOK-2016UK	STICKER SEAT SIDE COVER	(10)-1,(11)-1	2
101	MA1019	CASTER 75		4
102	601-5699UK-01	LEG ADJ M16X100 1L/NUT		4
103	260-0011-02	AXIAL FLOW FAN AC100V 50		1
201	000-T00412-OC	M4X12 MSCR POSI TH CRM	(2)-4,(10)-3,(11)-3	10
202	030-000812-S	M8X12 SET W/S PAS	(3)-7,(8)-1,(9)-1	9
203	FX0257	M8 WSHR FORM C FLT BZP	(3)-7,(8)-1,(9)-1	9
204	FX0040	M4X25 MSCR POSI PAN BZP	(4)-2	2
205	FX0301	M4 WSHR 16OD FLT BZP	(4)-2	2
206	050-F00400	M4 NUT FLG	(12)-2,(16)-2,(103)-4,EARTHS-3	11
207	000-P00412-W	M4X12 MSCR POSI PAN W/FS	(7)-4,(12)-2	6
208	020-F00612-OC	M6X12 MSCR SKT CSK CRM	(8)-3,(8)-3,(13)-4,(14)-4	14
209	030-000612-S	M6X12 BLT W/S PAS	(101)-16	16
210	FX0248	M6 WSHR FORM A FLT BZP	(101)-16	16
211	000-P00312-W	M3X12 MSCR POSI PAN W/FS	(103)-4	4
301	NOK-60409UK	WIRE HARN VTS (NOK)		1
302	NOK-60415UK	WIRE HARN DC EXT TO I/O		1
303	600-9050-44K	WIRE HARN EARTH 500mm M4	MAIN CABI TO SEAT CABI	1

7.4. NOK-1200UK ASSY AC UNIT



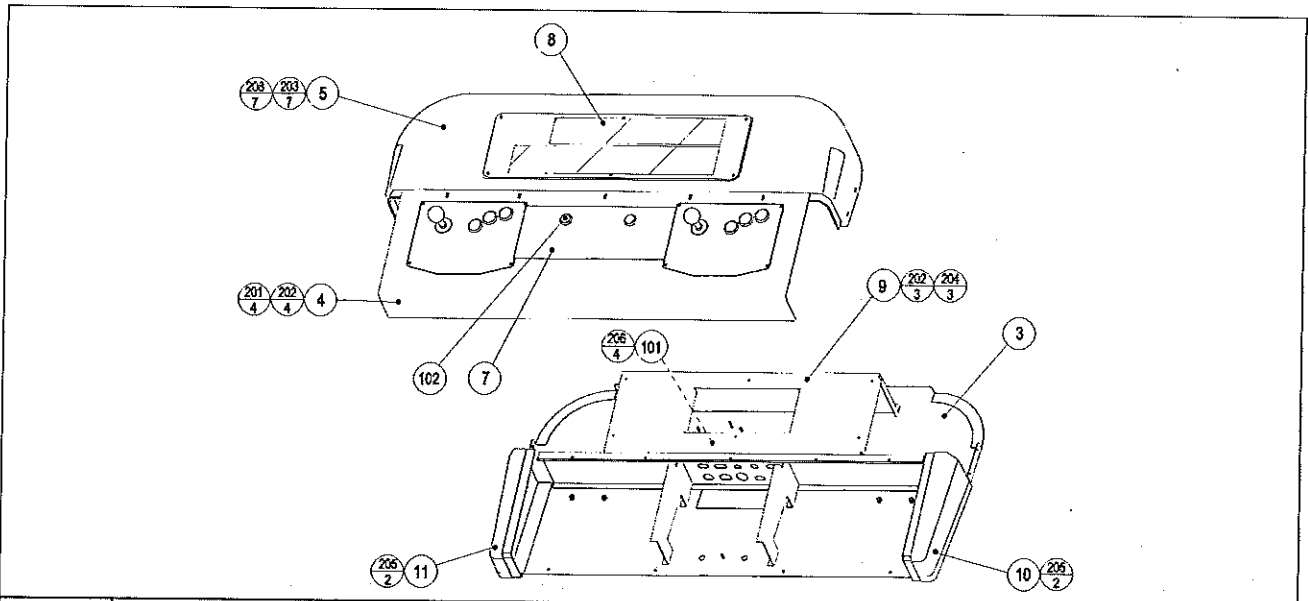
Ident #	Part No.	Description	Component Ref	Qty /assy
1	NOK-1201UK	AC BRKT		1
2	LB1096	STICKER PROTECTIVE EARTH	NEXT TO STUD	1
3	421-6595-5000-T	STICKER FUSE 5000mA TYPE	NEXT TO IEC INLET	1
101	EP1302	EURO SOCKET FUSED 10A 250		1
102	SW1109	SWITCH ROCKER 250V AC		1
103	EP1379	FILTER EMI 10A ARCOTRONI		1
104	514-5078-5000	FUSE 5X20 CERAMIC SB 500	(101)-1	1
105	310-5029-D508	HEAT SHRINK SLEEVING 50.	(101)-1 PIECE	0.04
201	050-F00400	M4 NUT FLG	EARTH STUD - 2	2
202	FX0399	M3X8 MSCR POSI PAN BZP	(103)-4	4
301	NOB-60001UK	WIRE HARN AC BRKT (NOB)		1
302	600-9020-44K	WIRE HARN EARTH 200mm M4	AC BRKT TO MAIN CABI	1

7.5. NOK-1300UK ASSY CONTROL PANEL



Ident #	Part No.	Description	Component Ref	Qty /assy
3	NOK-1301UK	CONTROL PANEL BASE		1
4	NOK-1302UK	CONTROL PANEL LID		1
5	NOK-1303UK	CONTROL PANEL COVER		1
7	NOK-1305UK	STICKER START		1
8	NOK-1306UK	STICKER INSTR BASE		1
9	NOK-1308UK	COVER BRKT		1
10	MGL-1007	CP SIDE COVER L		1
11	MGL-1006	CP SIDE COVER R		1
101	837-13551-92	I/O CONTROL BD FOR JVS		1
102	509-5756-01	SW PB D24 YELLOW		2
103	280-A00900-A	ROUTER TWIST D9 ADH		6
201	031-000412-OC	M4X12 CRG BLT CRM	(4)-4	4
202	050-F00400	M4 NUT FLG	(4)-4,(9)-3,EARTH-1	8
203	000-T00412-OC	M4X12 MSCR POSI TH CRM	(5)-7	7
204	000-P00412-W	M4X12 MSCR POSI PAN W/FS	(9)-3	3
205	000-P00512-W	M5X12 MSCR POSI PAN W/FS	(10)-2,(11)-2	4
206	050-F00300	M3 NUT FLG SER BZP	(101)-4	4
208	068-441616-OC	M4 WSHR 16OD FLT CRM	(5)-7	7
301	NOA-60021	WIRE HARN ANALOG CONTROL		1
302	NOK-60410UK	WIRE HARN SW CONTROL		1
303	NOK-60416UK	WIRE HARN I/O BD DC IN		1
304	600-9050-44K	WIRE HARN EARTH 500mm M4	CP BASE TO CNTRL CABI	1

7.5. NOK-1300UK ASSY CONTROL PANEL

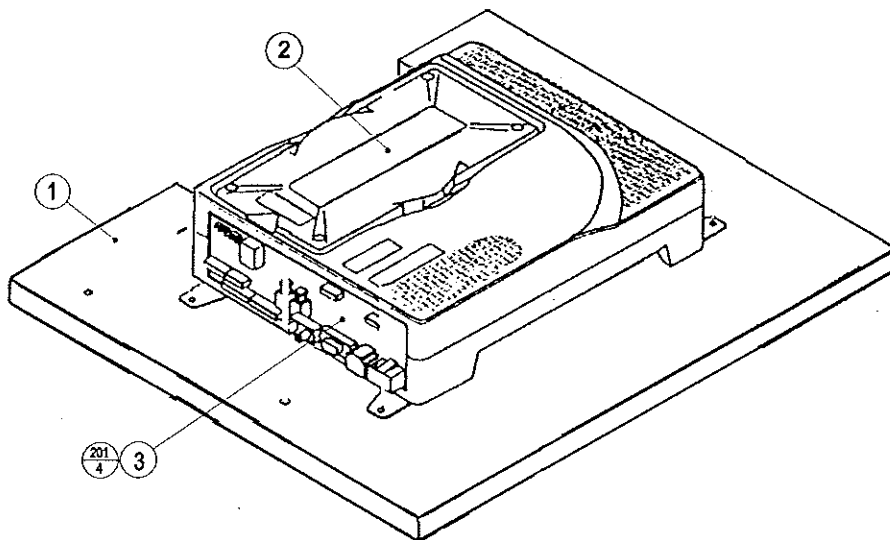


Ident #	Part No.	Description	Component Ref	Qty /assy
3	NOK-1301UK	CONTROL PANEL BASE		1
4	NOK-1302UK	CONTROL PANEL LID		1
5	NOK-1303UK	CONTROL PANEL COVER		1
7	NOK-1305UK	STICKER START		1
8	NOK-1306UK	STICKER INSTR BASE		1
9	NOK-1308UK	COVER BRKT		1
10	MGL-1007	CP SIDE COVER L		1
11	MGL-1006	CP SIDE COVER R		1
101	837-13551-92	I/O CONTROL BD FOR JVS		1
102	509-5756-01	SW PB D24 YELLOW		2
103	280-A00900-A	ROUTER TWIST D9 ADH		6
201	031-000412-OC	M4X12 CRG BLT CRM	(4)-4	4
202	050-F00400	M4 NUT FLG	(4)-4,(9)-3,EARTH-1	8
203	000-T00412-OC	M4X12 MSCR POSI TH CRM	(5)-7	7
204	000-P00412-W	M4X12 MSCR POSI PAN W/FS	(9)-3	3
205	000-P00512-W	M5X12 MSCR POSI PAN W/FS	(10)-2,(11)-2	4
206	050-F00300	M3 NUT FLG SER BZP	(101)-4	4
208	068-441616-OC	M4 WSHR 16OD FLT CRM	(5)-7	7
301	NOA-60021	WIRE HARN ANALOG CONTROL		1
302	NOK-60410UK	WIRE HARN SW CONTROL		1
303	NOK-60416UK	WIRE HARN I/O BD DC IN		1
304	600-9050-44K	WIRE HARN EARTH 500mm M4	CP BASE TO CNTRL CABI	1

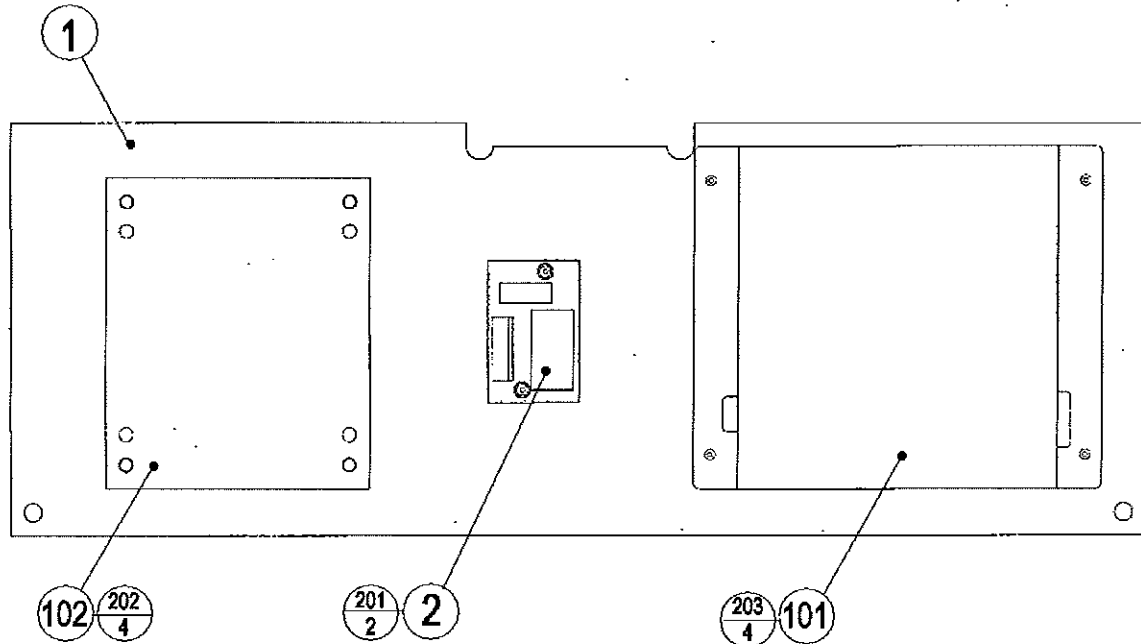
7.7. NOK-15**UK ASSY MAIN BD GAME SPECIFIC

Note: Depending on the individual game, there may be a GD ROM system fitted to this assembly.

Indent #	Part No.	Description	Component Ref	Qty /assy
1	NOK-1501UK	WOODEN BASE MAIN BD		1
2	LB1101	STICKER WARNING BATTERY	(3)-1	1
3	840-****-**	ROM BD	GAME SPECIFIC	1
101	280-A01264-WX	ROUTER TWIST D12 SO6.4 W		1
102	280-A02064-WX	ROUTER TWIST D20 SO6.4 W		4
201	000-P00416-W	M4X16 MSCR POSI PAN W/FS	(SHIELD CASE)-4	4
301	NOK-60415UK	WIRE HARN DC EXT TO I/O		1
302	600-7159-070	WIRE HARN JVS PWR 070CM		1
303	600-7141-100	CABLE JVS TYPE A-B 100CM		1

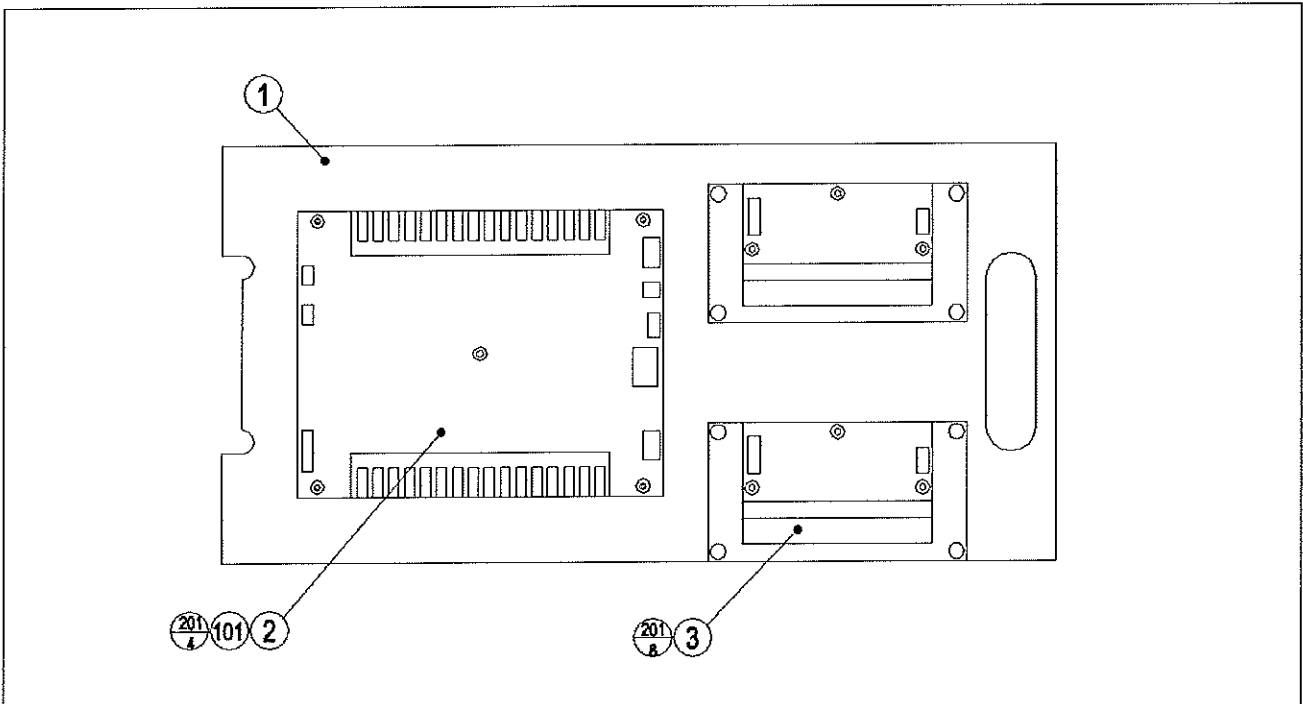


7.8. NOK-1400UK ASSY ELEC



Indent #	Part No.	Description	Component Ref	Qty /assy
1	NOK-1401UK	WOODEN BASE ELEC		1
2	838-11856CE-02	CONN BD W/FUSE 6.3A CE		1
101	400-5397-01	SW REGU FOR JVS VA		1
102	560-5394UK	TRANSFORMER DUT TW		1
103	280-A01264-WX	ROUTER TWIST D12 SO6.4 W		4
201	FX0151	N4X1" S/TAP POSI PAN BZP	(2)-2	2
202	000-P00416-W	M4X16 MSCR POSI PAN W/FS	(102)-4	4
203	FX0155	N6X1/2" S/TAP POSI FLG B	(101)-4	4
301	NOB-60004UK	WIRE HARN AC OUT		1
302	NOB-60013UK	WIRE HARN SW REGU INT		1
303	NOK-60414UK	WIRE HARN CONN BD OUT		1
304	600-6985-006UK	WIRE HARN AC100V OUT		1

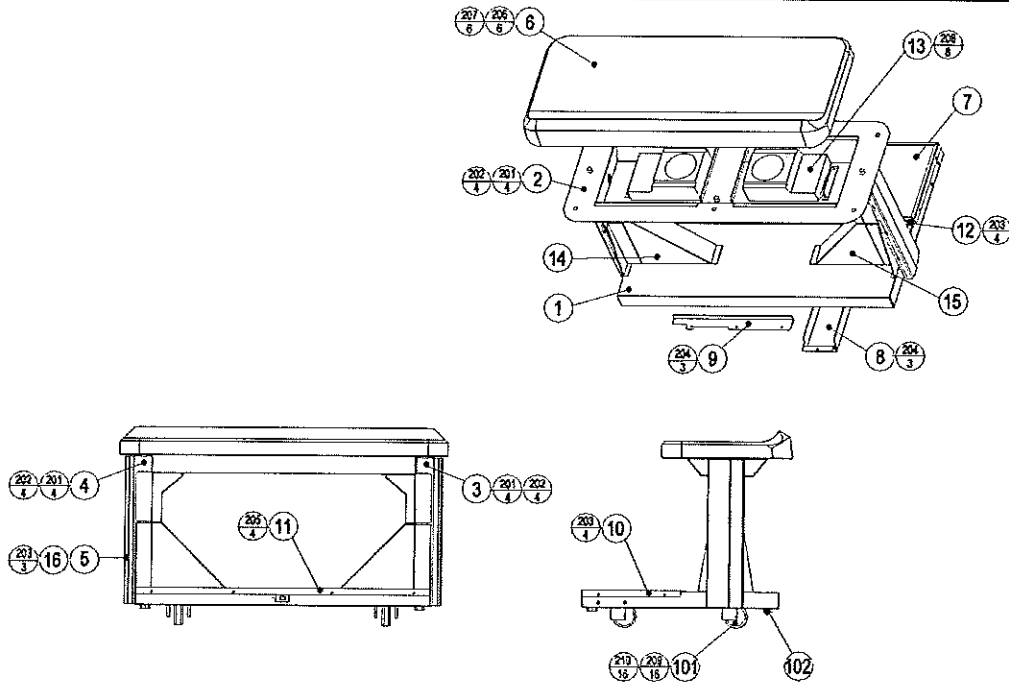
7.9. NOK-1600UK ASSY AUDIO



Indent #	Part No.	Description	Component Ref	Qty /assy
1	NOK-1601UK	WOODEN BASE AUDIO		1
2	838-13578	PWR AMP 2CH & MIXER		1
3	838-11651-01	LOWPASS AMP W/LARGE HEAT		2
101	211-5305	C JMPR SCKT (IMSA-9206H-	(2)-2	2
102	280-A01264-WX	ROUTER TWIST D12 SO6.4 W		7
201	FX0151	N4X1" S/TAP POSI PAN BZP	(2)-4,(3)-8	12
301	NOK-60402UK	WIRE HARN AUDIO OUT		1
302	NOK-60403UK	WIRE HARN DC OUT		1
303	NOK-60404UK	WIRE HARN PWR AMP AC IN		1
304	NOK-60405UK	WIRE HARN AUDIO/VR LINK		1
305	NOK-60406UK	WIRE HARN DC/SOUND LINK		1
306	NOK-60408UK	WIRE HARN VR 1 & 2 CONTR		1
307	NOK-60411UK	WIRE HARN B/BD SPKRS EXT		1

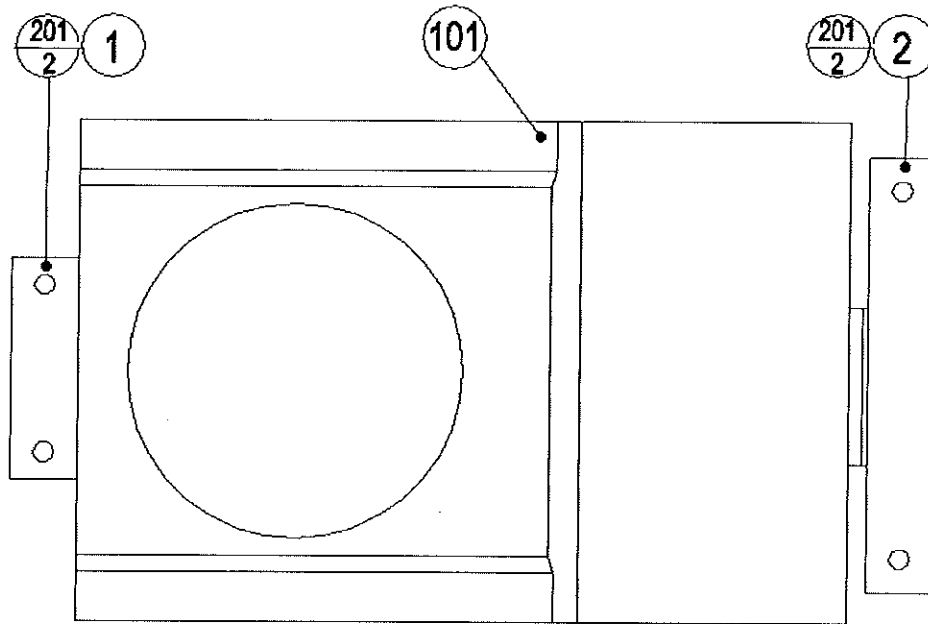
7.10. NOK-2000UK

ASSY SEAT CABINET



Indent #	Part No.	Description	Component Ref	Qty /assy
1	NOK-2001UK	SEAT BASE		1
2	NOK-2002UK	SEAT BENCH		1
3	NOK-2003UK	SEAT SIDE FRAME L		1
4	NOK-2004UK	SEAT SIDE FRAME R		1
5	NOK-2005UK	SEAT SIDE COVER		2
6	NOK-2007UK	SEAT		1
7	NOK-2008UK	FLOOR PLATE		1
8	NOK-2009UK	WIRE COVER CENTRE		1
9	NOK-2010UK	WIRE COVER SIDE		1
10	NOK-2011UK	FLOOR SASH SIDE		2
11	NOK-2012UK	FLOOR SASH FRONT		1
12	NOK-2013UK	FLOOR SASH REAR		1
13	NOK-2100UK	ASSY WOOFER		2
14	NOK-2014UK	STICKER SEAT LOWER L		1
15	NOK-2015UK	STICKER SEAT LOWER R		1
16	NOK-2016UK	STICKER SEAT SIDE COVER	(5)-2	2
101	MA1019	CASTER 75		4
102	601-5699UK-01	LEG ADJ M16X100 1L/NUT		4
201	030-000816-S	M8X16 BLT W/S PAS	(2)-4,(3)-4,(4)-4	12
202	FX0257	M8 WSHR FORM C FLT BZP	(2)-4,(3)-4,(4)-4	12
203	000-T00412-OC	M4X12 MSCR POSI TH CRM	(5)-6,(10)-4,(12)-4	14
204	000-P00412-W	M4X12 MSCR POSI PAN W/FS	(8)-3,(9)-3	6
205	FX0325	M4X12 MSCR POSI CSK BZP	(11)-4	4
206	030-000616-SB	M6X16 BLT W/S BNP	(6)-6	6
207	FX0012	M6 WSHR 250D FLT BZP	(6)-6	6
208	050-F00400	M4 NUT FLG	(13)-8	8
209	030-000612-S	M6X12 BLT W/S PAS	(101)-16	16
210	FX0248	M6 WSHR FORM A FLT BZP	(101)-16	16
301	NOK-60407UK	WIRE HARN SEAT SPKRS EXT		1

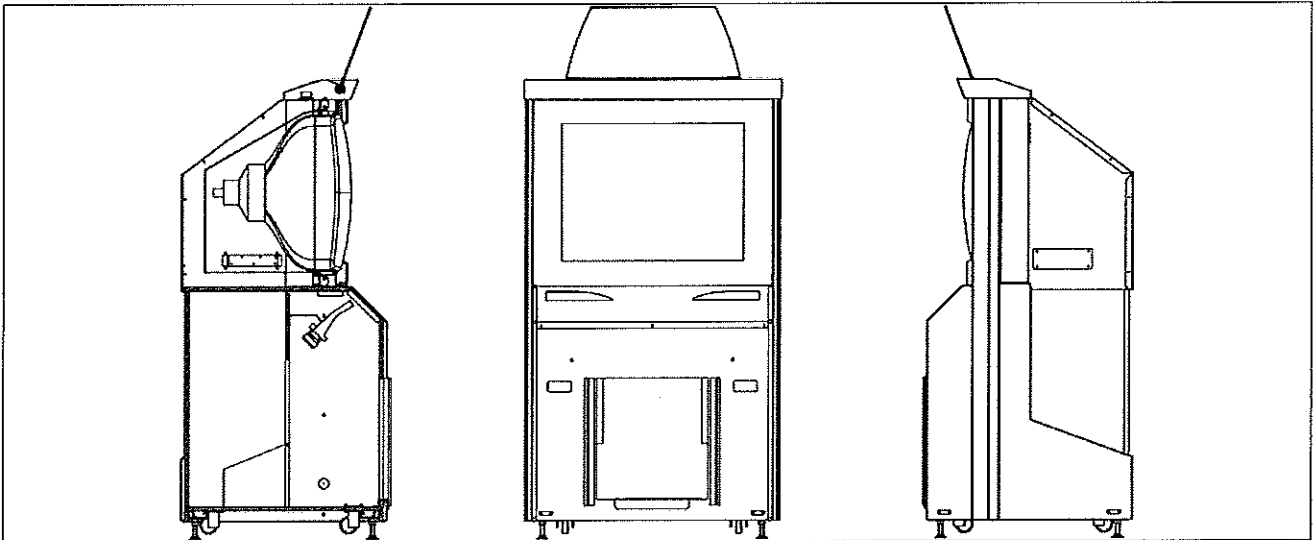
7.11. NOK-2100UK ASSY WOOFER



Indent #	Part No.	Description	Component Ref	Qty /assy
1	NOK-2101UK	SPKR BRKT A		1
2	NOK-2102UK	SPKR BRKT B		1
101	130-5160	SUB WOOFER 4OHM 30W		1
201	FX0163	N8X1/2" S/TAP POSI FLG B	(1)-2,(2)-2	4

7.12. NOT-3000UK

ASSY MONITOR CABINET



Item No.	Part Number	Description	Component Ref.	Qty
1	NOT-3001UK	MONITOR CABINET NOT		1
2	RTS-2006UK	MONITOR MASK 38"		1
3	NOT-3002UK	SIDE FRAME R		1
4	NOT-3003UK	BILLBOARD BOX		1
5	NOT-3004UK	MONITOR BRKT		2
6	NOT-3005UK	SPEAKER COVER		1
7	NOT-3006UK	FRAME COVER		2
8	NOT-3009UK	SPKR BRKT		2
9	NOT-3007UK	SIDE FRAME L		1
10	NOT-3010UK	BILLBOARD LID		1
11	NOT-3012UK	MONITOR REAR COVER R		1
12	NOT-3011UK	MONITOR REAR COVER L		1
13	NOT-3013UK	MONITOR REAR COVER C		1
14	NOT-3015UK	REMOTE BOARD LID		1
15	253-5396-91	CABINET HANDLE		4
101	130-5152	SPEAKER BOX MINI DOME 12W		2
102	200-3138-P	ASSY CLR DSPL 38" 31K PENT		1
103	LT1014	TUBE FL 30W 36" DIA25MM		1
104	390-5695-30-AUK	FL TRAY 100V 30W		1
105	290194	TAPE-FOAM-25MM X 6MM X 12M	(4)-20CM	20
106	360102	RICHCO PILLAR.....LNCBS 0601	(101)-6 REMOTE BOARD	6
107	354083	(A)TWIST N LOK BHKL-750-4	(NEAR CRT)-8,(FLOOR)-7,(L CHEEK)-7	4
108	354081	TWIST LOK BHKL-450-4	(SPKR WIRES)-3	4
109	280-A01248-PM	ROUTER TWIST D12 SO4.8 PAN MED	(SIDE FRAME L)-5	4
110	LB1102	STICKER DANGEROUS VOLTAGE	(13)-1,(10)-1	4
111	LB1103	STICKER CAUTION	(11)-1 NEAR (14)	4
112	LB1104	STICKER CAUTION, HOT SURFACE	(10)-1	4
201	030-000825	M8X25 BLT PAS	(3)-5,(4)-2,(5)-2,(9)-5	4
202	060-F00800	M8 WSHR FORM A FLT PAS	(3)-5,(4)-2,(5)-2,(9)-5	14
203	008-T00420-0B	M4X20 TMP PRF TH BLK	(6)-5,(11)-4,(12)-4	13
204	000-T00412-0C	M4X12 MSCR TH CRM	(7)-6,(10)-5	11

Continued on next page

Continued from previous page

Item No.	Part Number	Description	Component Ref.	Qty
205	000-P00416-WB	M4X16 MSCR PAN W/FS PAS BLK	(2)-6,(4)-1E,(11)-5,(12)-4,(13)-8,(14)-4,(101)-4,(104)-2	34
* 206	050-F00400	M4 NUT FLG SER PAS	(10)-1E,(13)-1E	2
207	068-441616-0B	M4 WSHR 16OD FLT BLK	(2)-6,(11)-2,(12)-2,(104)-2	12
208	050-F00800	M8 NUT FLG SER PAS	(102)-4	4
209	068-852216	M8 WSHR 220D FLT PAS	(102)-4	4
210	012-P03512-F	N6X1/2" S/TAP FLG PAS	(8)-4	4
211	000-P00412	M4X12 MSCR PAN PAS	(3)-3E,(103)-2 TERRY CLIPS	5
301	600-7009-3000	ASSY RGB CA D-SUB 15P 3000M		1
302	NOT-60001UK	WIRE HARN AC EXT NOT		1
303	NOT-60002UK	WIRE HARN SPEAKER NOT		1
304	NOK-60420UK	WIRE HARN FL		1
305	600-9110-44K	WIRE HARN EARTH 1100MM M4/M4	MONITOR REAR COVER C - SIDE FRAME L	1

8. APPENDIX A – WIRE COLOURS AND ELECTRICAL SCHEMATIC

THE WIRE COLOUR CODE IS AS FOLLOWS:

A	PINK
B	SKY BLUE
C	BROWN
D	PURPLE
E	LIGHT GREEN

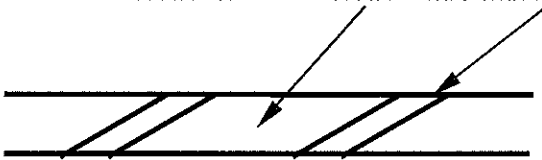
Wires other than those of any of the colours listed above will be displayed by 2 alphanumeric characters:

1	RED
2	BLUE
3	YELLOW
4	GREEN
5	WHITE
7	ORANGE
8	BLACK
9	GREY

If the right hand side numeral of the code is 0, then the wire will be of a single colour shown by the left hand side numeral (see the list above).

Note 1: If the right hand side alphanumeric is not 0, that particular wire has a spiral colour code. The left hand side character shows the base colour and the right hand side one, the spiral colour.

[Example] 51----- WHITE/RED = WHITE wire with RED stripes



Note 2: The character following the wire colour code indicates the size of the wire.

K:	AWG18, UL1015
L:	AWG20, UL1007
None	AWG22, UL1007

ELECTRICAL SCHEMATIC

The following pages contain the electrical schematic for this machine.